

Electromechanical Hours Meter Type E2HM4

CARLO GAVAZZI



E2HM4

- 7/8 digits hour meter
- High shock and impact resistance
- Without reset
- Small dimensions
- Large optical digit figures
- 5 years warranty
- Data retention when power is off
- Long service life
- Protection IP 52, suitable for any mounting position

Product Description

Low cost, stepper-motor driven hour meters for panel mount. General time counting, service intervals for measuring devices (respiratory ventilators,

oxygen machines, dialysis machines), small appliances, UV lamps, display panels in vehicles.

Ordering Key

E2HM4 075

Type

Voltage code

Stock items: E2HM4071
E2HM4075
E2HM4084
E2HM4351

Approvals



General data

Display DC	8 digit
AC	7 digit
Dimensions of digits	
Height	4mm/0.158"
Width	1.7mm/0.066"
Viewing angle	Frontal
Colour of digit figures	White and Red on Black
Operating indicator	
AC	Fast rotating wheel of the running time meter with red dashes
DC	1/100h display turns continuously by 1 digit in 36s
Ambient temperature	-15...+50°C/5°F...122°F
Mounting position	Panel mounting
Connections	Screw terminal for cable diameter up to 2.5mm ² / 1612.9square inch
Max. tightening torque	0.8Nm
Housing	Black plastic RAL 9005
Dimensions	48x48 acc. to DIN 43700 STD
Weight	48g/1.673oz
Panel cut-out	46x46mm / 1.89"x1.89"
Protection degree	IP52 (IP65 version with optional seal gasket between counter and bezel or the front side)

Options

Upon request	IP65
Upon request	Wire entry from behind, screw fixing from rear

Supply Voltages and Consumption¹

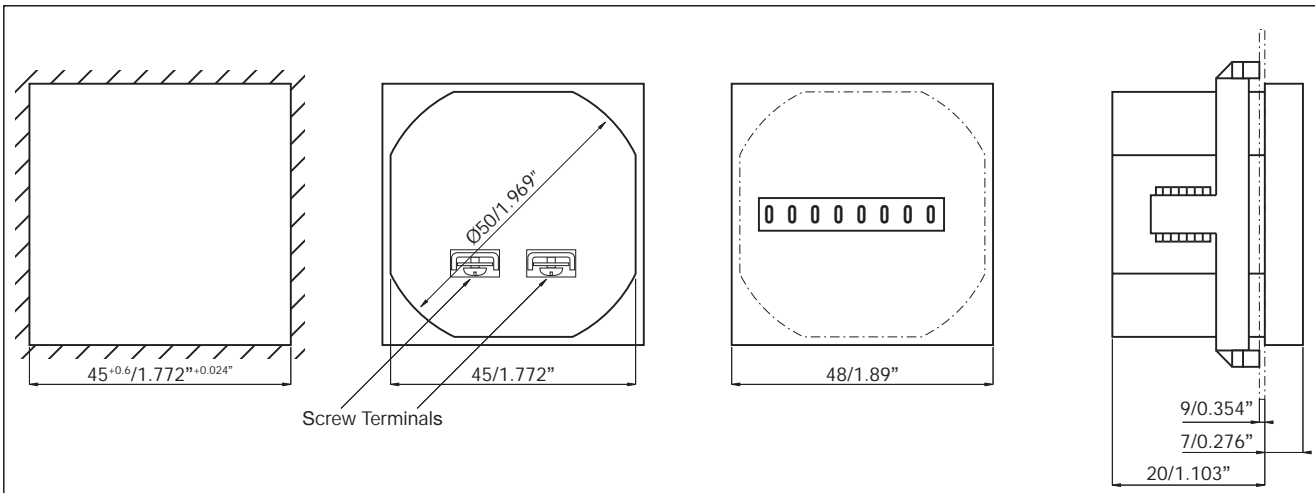
	Supply voltage	Power Consumption		
		AC 50Hz	AC 60Hz	VDC
071	20÷30	-0.3VA	-	-
081		-	-0.3VA	-
072	42÷48	-0.25VA	-	-
082		-	-0.25VA	-
074	100÷130	-0.6VA	-	-
084		-	-0.6VA	-
381		-	-	750mW
075	187÷264	-1.2VA	-	-
085		-	-1.2VA	-
079	360÷440	-1.65VA	-	-
089		-	-1.65VA	-
351	10÷30	-	-	500mW

Measuring Specifications

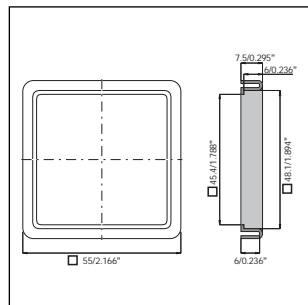
Time range	
DC	0.01...999 999.99h
AC	0.01...99 999.99h
ON time	100%
Counting system	Adding
Reset	No
Accuracy	
AC:	Supply frequency + 30ms < 0.003% (24h)
DC:	

¹ The available voltages are those where the consumption is indicated

Dimensions mm/inches



Accessories



Slip-on bezel \square 55

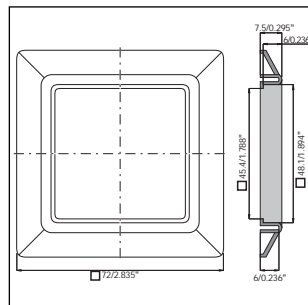
NI-ACC T008171

Bezel adapter

\square 55x55mm/2.166"x2.166"
for adapting cut-out
50x50mm/1.969"x1.969"
to 45x45mm/1.772"x1.772"

Colour

Black



Slip-on bezel \square 72

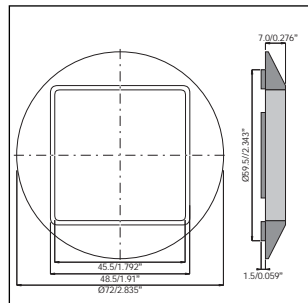
NI-ACC T008177

Bezel adapter

\square 72x72mm/2.835"x2.835"
for adapting cut-out
50x50mm/1.969"x1.969"
to 45x45mm/1.772"x1.772"

Colour

Black



Slip-on bezel $\text{Ø}72$

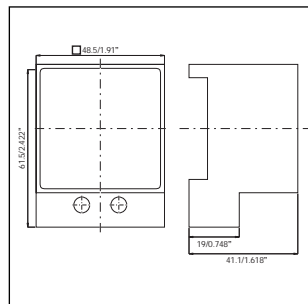
NI-ACC N510226

Bezel adapter

$\text{Ø}72$ mm/2.835"
for adapting cut-out
 $\text{Ø}60$ mm/2.362"
to 45x45mm/1.772"x1.772"

Colour

Black



DIN Rail mounting adapter

NI-ACC G008040

Counter adapter

for wire entry from below;
mounting of the adapter
with screw fixing from rear.
Flat pin 0.8x6.3mm
/0.032"x0.248"

Colour

Black