

Environmental Sensors Humidity / Temperature Transmitters



- Easiest installation
- Modern design
- Long term stable
- Optional display
- Traceable calibration
- Indoor applications
- Wall mounting
- CE, RoHS

Product Description

These room transmitters are the ideal solution for indoor applications such as HVAC in residential and official buildings.

The very stylish, functional housing makes easy

installation and fast exchange of the sensing unit for service purposes possible. The high quality of the used capacitive humidity sensor and state-of-the-art microprocessor controlled

electronics are the guarantee for best accuracy and a wide range of options. The standard humidity output of the transmitter is 4-20mA or 0-10V. The temperature output signal

can be active or passive. It can be equipped with a good legible LC display. The displayed values for humidity and temperature are alternating.

Approvals



Ordering Key

CGESHTW V 2 T04



Type Selection

Model	
CGESHTW	humidity + temperature
CGESHTPW	humidity + temperature passive

Output	
V	0-10V
A	4-20mA

Temperature Sensor (only passive)	
1	Pt 100 DIN A
2	Pt 1000 DIN A

Display	
Nil	Without Display
D	With Display

Temperature Unit (only for Display)	
Nil	°C
F	°F

Temperature Scale (only for CGESHTW)	
T04	0...50

General Data

Voltage supply (U _v)	0-10V 4-20mA	15-40VDC or 24VAC ±20% 28VDC > UV > 10+0.02xRL (RL < 500Ω)
Current consumption	DC supply AC supply	typical 4mA typical 15mA _{eff}
Display	for CGESHTWx version for CGESHTPWx version	Humidity / Temperature alternating Humidity

CE compatibility according	EN 50081-1 FCC Part15 ClassB EN 50082-1 ICES-003 ClassB
Temperature ranges	-5...55°C/23...131°F
working temperature range	-5...55°C/23...131°F
working temperature with display	-25...60°C/-13...140°F
storage temperature range	

Technical Data

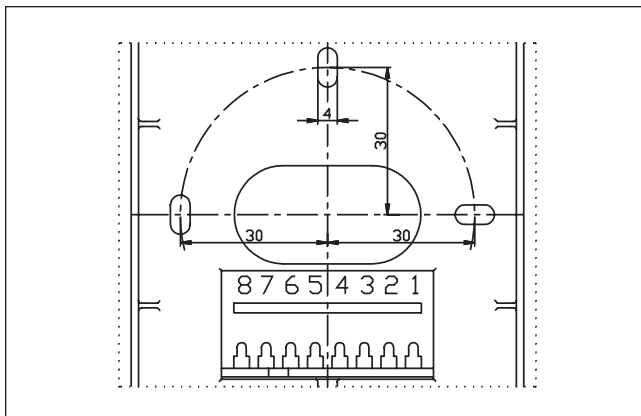
RELATIVE HUMIDITY	
Humidity sensor	HC103
Analogue output	0-10V 0...100 %r.H. 4-20mA
Working range	0...95 % RH
Accuracy @ 20°C/68°F and $U_V=24VDC$	$\pm 2\%$ RH (40...60% RH) $\pm 3\%$ RH (10...90% RH) Traceable to intern. standards, administrated by NIST, PTB, BEV...
Temperature dependence @ 60%RH	Typical 0.06% RH/°C (0.03% RH/°F)

TEMPERATURE (Active Output)	
Analogue output	0...50°C/32...122°F 0-10V 4-20mA
Accuracy @ 20°C/68°F and $U_V=24VDC$	V: $\pm 0.25^\circ C / \pm 0.45^\circ F$ A: $\pm 0.4^\circ C / \pm 0.72^\circ F$
TEMPERATURE (Passive Output)	
Type of Temperature Sensor	please see type selection

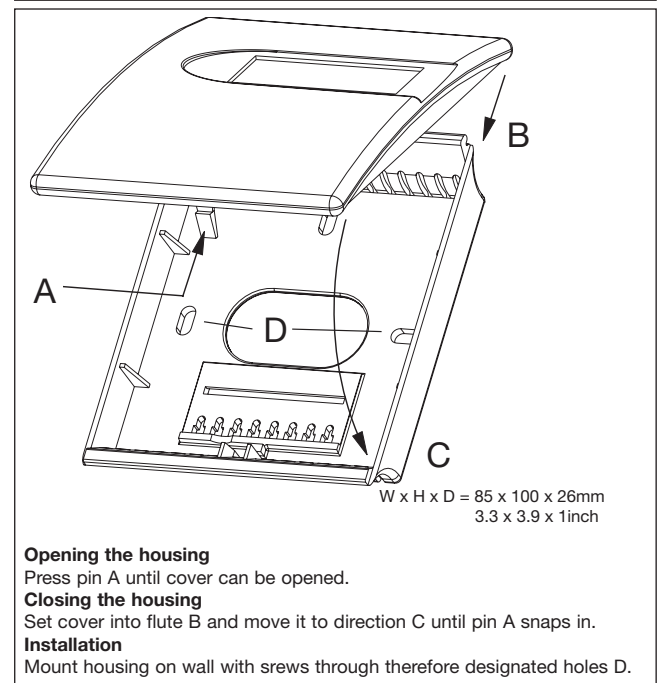
Mechanical Data

Housing	PC Polycarbonate
Electrical connection	screw terminals max. 1.5mm² (AWG 16)
Protection Degree	IP20
Housing colour	Cover RAL 9003 (white) Back RAL 7035 (light grey)

Mounting holes



Dimensions



Connection Diagram

