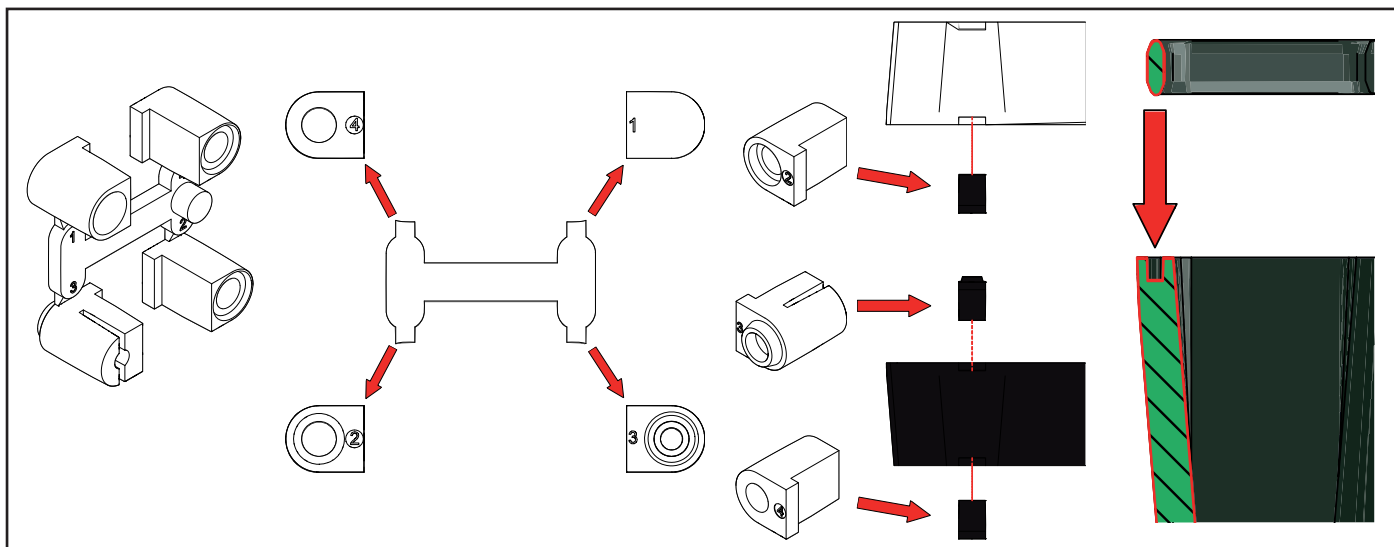
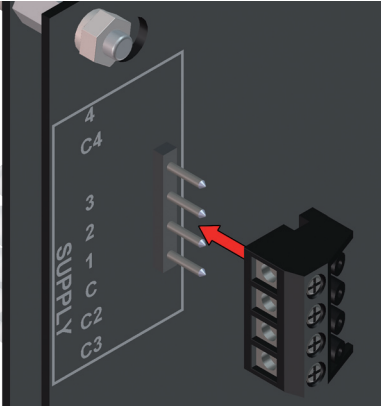


IPN/002 Status Indicator Panel





IPN/UC/24/	IPN/AC/115/	IPN/AC/230/		
+ve (24Vac/dc)	P (98-132Vac)	P (196-264Vac)	GREEN	3
				2
+ve (24Vac/dc)	P (98-132Vac)	P (196-264Vac)	RED	1
-ve (0V)	N	N		C

