

MULTIBLOC® 00.ST8

Size 00 160A, 690VAC Bottom Fitting, 1-,2-,4-pole

NH Fuse Switch Disconnecter

The production programme of MULTIBLOC® series 00.ST8 comprises NH fuse switch disconnectors for 160A.

They are designed for bottom fitting/panel installation and are available in single pole, double pole and quadruple pole units.

For installation of MULTIBLOC® NH fuse switch disconnectors in distribution units with central cover, respective covers are used to obtain a uniform profile in height and length.

MULTIBLOC® size 00 are designed for NH fuse-links in accordance with IEC/EN 60269-2, VDE 0636-2, size 00, 160A.

MULTIBLOC® offers the user the possibility of fast and easy installation as well as a high degree of security during installation and maintenance.

Features Benefits

- Touch protection IP 20 - when fuse link is in test mode IP rating is maintained
- Parking position of switch operating cover even with fuse-links inserted
- Modular system of cover - cover for cable termination area can be extended - optional
- Varieties of cable termination: screw, clamp strap, Al-Cu clamp, extendable for V-terminal - optional
- Padlocking and sealing of switch door cover - optional
- Indicating switch for switch door position - optional

Applications

- House incoming units
- Meter distribution units
- Measuring transformer cabinets
- Transmitting stations for telecommunications

Technical data overview

| | |
|-------------------|--|
| Volt (VAC) | 690 VAC |
| Volt (VDC) | 220 VDC |
| Amper (A) | 160 A |
| Size per Standard | 00 |
| Mounting | bottom fitting/panel |
| SCCR | Ue = AC 400 V; Ie = 160 A 80kA Ue = AC 500 V; Ie = 160 A 80kA Ue = AC 690 V; Ie = 125 A 50kA |
| Number of Poles | 1,2,4 |
| Switchability | 1-,2-,4-pole switching |



Standards

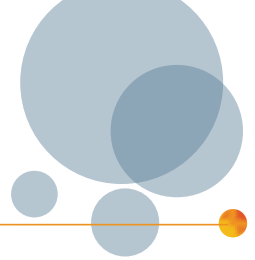
IEC/EN 60 947-3

For NH-fuse links size 000/00 in accordance with IEC/EN 60 269-2, VDE 0636-2



MULTIBLOC® 00.ST8

Size 00 160A, 690VAC Bottom Fitting, 1-,2-,4-pole



Product range



1.000.139

MULTIBLOC® 00.ST8 size 00 160 A, 690 V AC bottom fitting, double pole

| Catalog number | Reference number | Poles | Cable termination components | Weight kg ¹⁾ | Package |
|----------------|------------------|-------|--|-------------------------|---------|
| 1.000.139 | G229293 | 2 | 3 M8 terminal screws | 0.62 | 1 piece |
| 1.000.140 | H1023001 | 2 | 4 clamp straps Cu 4–70 mm ² | 0.62 | 1 piece |



1.000.141

MULTIBLOC® 00.ST8 size 00 160 A, 690 V AC bottom fitting, quadruple pole

| Catalog number | Reference number | Poles | Cable termination components | Design | Weight kg ¹⁾ | Package |
|----------------|------------------|-------|--|---|-------------------------|---------|
| 1.000.141 | J1023002 | 4 | 8 M8 terminal screws | pole 4 right side | 1.04 | 1 piece |
| 1.000.142 | K1023003 | 4 | 8 clamp straps Cu 4–70 mm ² | pole 4 right side | 1.04 | 1 piece |
| 1.001.575 | L1023004 | 4 | 8 M8 terminal screws | pole 4 left side | 1.04 | 1 piece |
| 1.002.377 | T1002127 | 4 | 8 M8 terminal screws | with ready fitted special solid link as neutral conductor in pole 4 for leading and lagging switching | 1.80 | 1 piece |
| 1.003.141 | N1023006 | 4 | 8 clamp straps Cu 4-70 mm ² | with ready fitted special solid link as neutral conductor in pole 4 for leading and lagging switching | 1.80 | 1 piece |



1.002.377



1.000.053

MULTIBLOC® 00.ST8 size 00 160 A, 690 V AC bottom fitting, single pole

| Catalog number | Reference number | Poles | Cable termination components | Design | Weight kg ¹⁾ | Package |
|----------------|------------------|-------|---|--|-------------------------|---------|
| 1.000.053 | F229292 | 1 | 2 M8 terminal screws | - | 0.32 | 1 piece |
| 1.000.054 | E1022998 | 1 | 2 clamp straps Cu 4–70 mm ² | - | 0.32 | 1 piece |
| 1.000.114 | F1022999 | 1 | 2 Al/Cu clamps 1,5–70 mm ² round stranded, 95 mm ² sectoral solid | - | 0.35 | 1 piece |
| 1.001.817 | G1023000 | 1 | 2 M8 terminal screws | for direct installation on to bus bars with M8 screw | 0.29 | 1 piece |

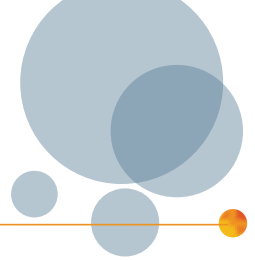


1.001.817

1) weight in kg per piece or set including package

MULTIBLOC® 00.ST8

Size 00 160A, 690VAC Bottom Fitting, 1-,2-,4-pole



Technical data in accordance with EN / IEC 60947

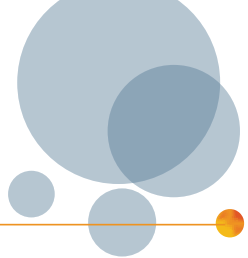
| | 00.ST8 double pole | 00.ST8 quadruple pole | 00.ST8 single pole |
|--|------------------------------------|------------------------------------|--|
| Installation mode | bottom fitting | bottom fitting | bottom fitting |
| Size | 00 | 00 | 00 |
| Number of poles/phases | 2 | 4 | 1 |
| Conventional free air thermal current with NH-fuse links I_{th} | 160 A | 160 A | 160 A |
| Max. power dissipation of fuse links P_n | 12 W | 12 W | 12 W |
| Conventional free air thermal current with solid links I_{th} | 200 A | 200 A | 200 A |
| Max. power dissipation of solid links P_n | 1,2 W | 1,2 W | 1,2 W |
| Utilization category to IEC/EN 60947-3 $U_e = AC 400 V; I_e = 160 A$ $U_e = AC 500 V; I_e = 160 A$ $U_e = AC 690 V; I_e = 125 A$ $U_e = DC 220 V; I_e = 160 A$ | AC 23 B AC 22 B AC 21 B - | AC 23 B AC 22 B AC 21 B - | AC 23 B AC 22 B AC 21 B DC 22 B |
| Rated operational voltage U_e | 690 V | 690 V | 690 V |
| Rated insulation voltage U_i | 1000 V | 1000 V | 1000 V |
| Rated impulse withstand voltage U_{imp} | 8 kV | 8 kV | 8 kV |
| Rated frequency | 50 ... 60 Hz | 50 ... 60 Hz | 50 ... 60 Hz |
| Degree of protection | IP 20 | IP 20 | IP 20 |
| Degree of pollution | 3 | 3 | 3 |
| Rated duty | uninterrupted duty | uninterrupted duty | uninterrupted duty |
| Rated short circuit making capacity with solid links I_{cm} | 6.2 kA _{sw} | 6.2 kA _{sw} | 6.2 kA _{sw} |
| Rated short circuit making capacity with fuse links $U_e = AC 400 V; I_e = 160 A$ $U_e = AC 500 V; I_e = 160 A$ $U_e = AC 690 V; I_e = 125 A$ | 80 kA 80 kA 50 kA | 80 kA 80 kA 50 kA | 80 kA 80 kA 50 kA |
| Rated short circuit withstand current I_{cw} | 4 kA / 1 s | 4 kA / 1 s | 4 kA / 1 s |
| Power dissipation by I_{th} without NH-fuse links | 4,6 W | 10,3 W | 2,3 W |
| Power dissipation by I_{th} without solid links | 6,6 W | 13,3 W | 3,3 W |

Cable terminal connection

| | M8 | M8 | M8 |
|--------------------------------------|------------------------|------------------------|------------------------|
| Standard cable terminal | M8 | M8 | M8 |
| for cable lugs Cu max. | 2 x 70 mm ² | 2 x 70 mm ² | 2 x 70 mm ² |
| for cable lugs Al max. | 2 x 70 mm ² | 2 x 70 mm ² | 2 x 70 mm ² |
| for copper bars with max. dimensions | 20 x 5 mm | 20 x 5 mm | 20 x 5 mm |

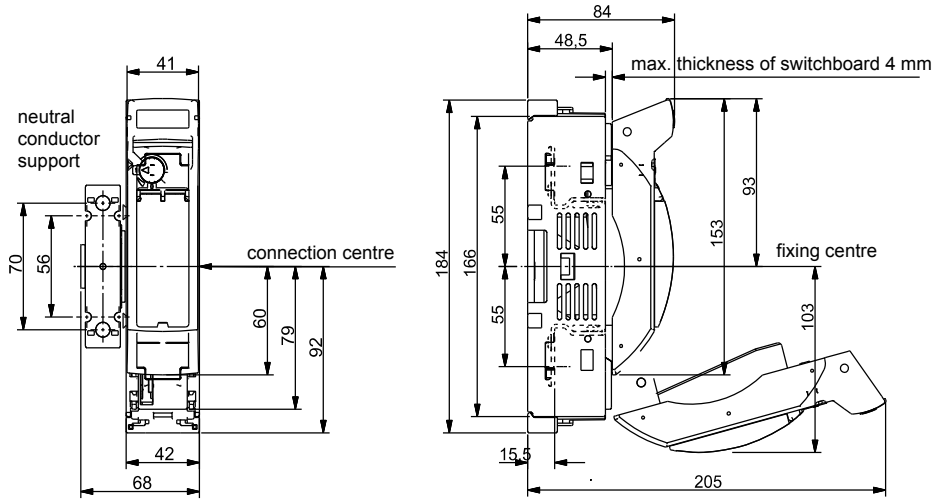
MULTIBLOC® 00.ST8

Size 00 160A, 690VAC Bottom Fitting, 1-,2-,4-pole



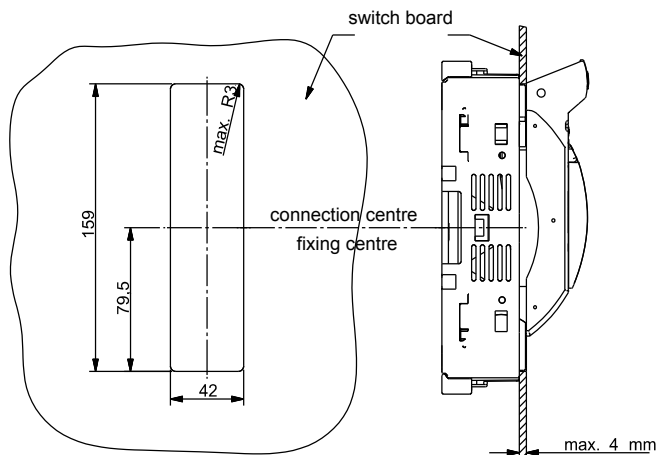
Dimensions

MULTIBLOC® 00.ST8 NH-fuse switch disconnecter single pole (M 01115)

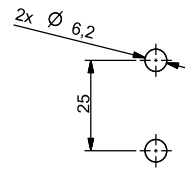


The neutral conductor art. no. 00SZNS (accessory) can be fixed on right side, left side or both sides of switch.

dimensions of switch board cut out
for bottom fixing without cover shield



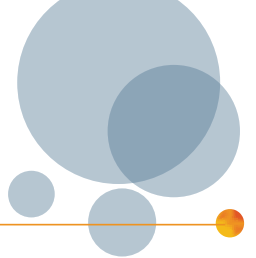
dimensions for bottom fitting



Dimensions in mm

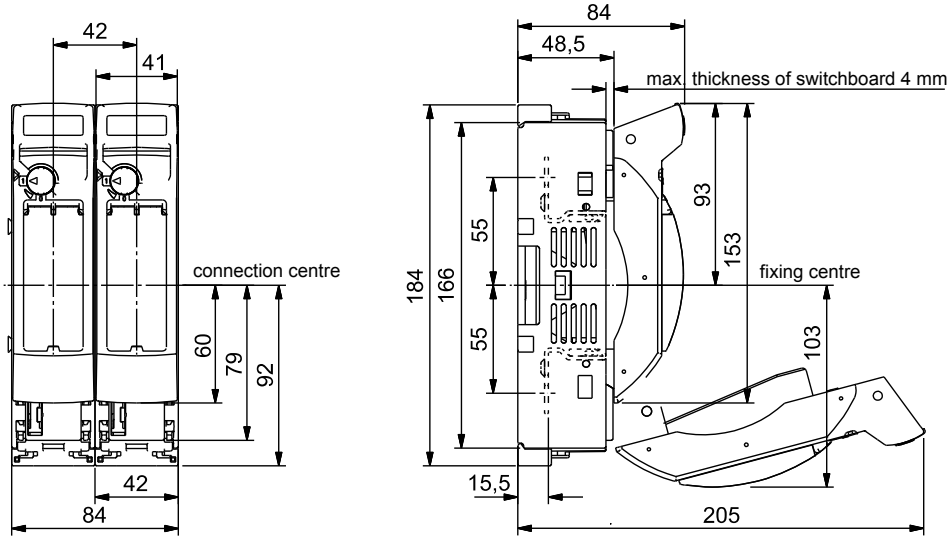
MULTIBLOC® 00.ST8

Size 00 160A, 690VAC Bottom Fitting, 1-,2-,4-pole



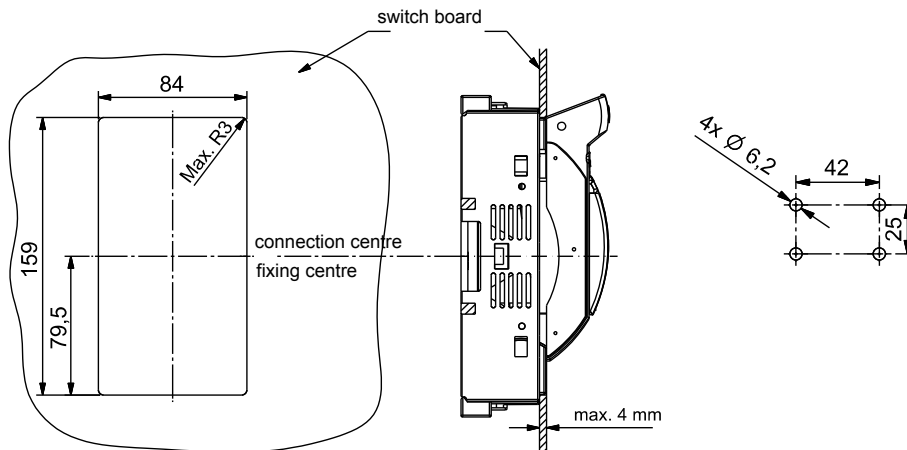
Dimensions

MULTIBLOC® 00.ST8 NH-fuse switch disconnecter double pole (M 01124)



dimensions of switch board cut out for bottom fixing without cover shield

dimensions for bottom fitting



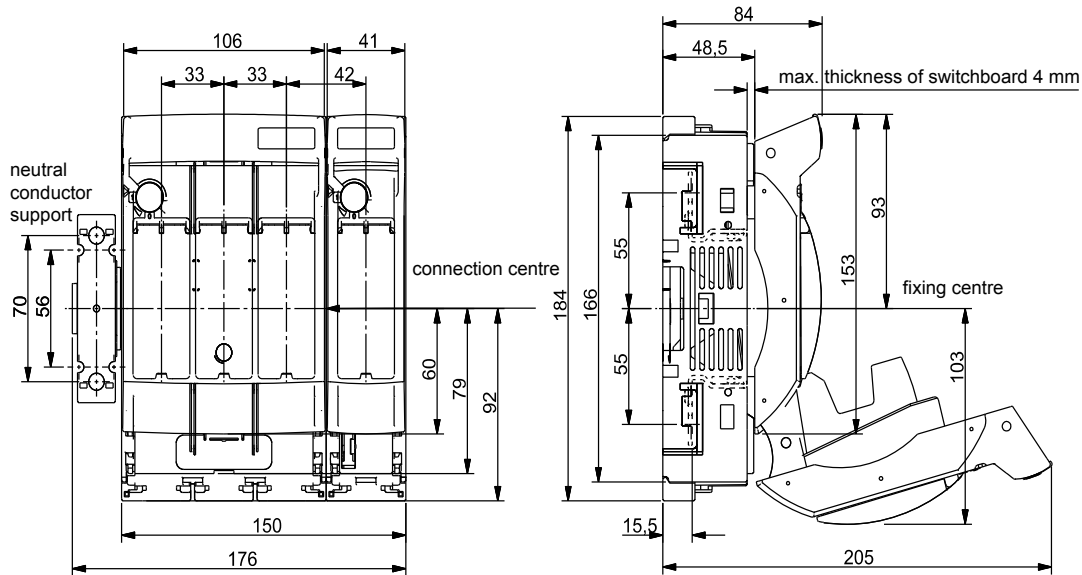
Dimensions in mm

MULTIBLOC® 00.ST8

Size 00 160A, 690VAC Bottom Fitting, 1-,2-,4-pole

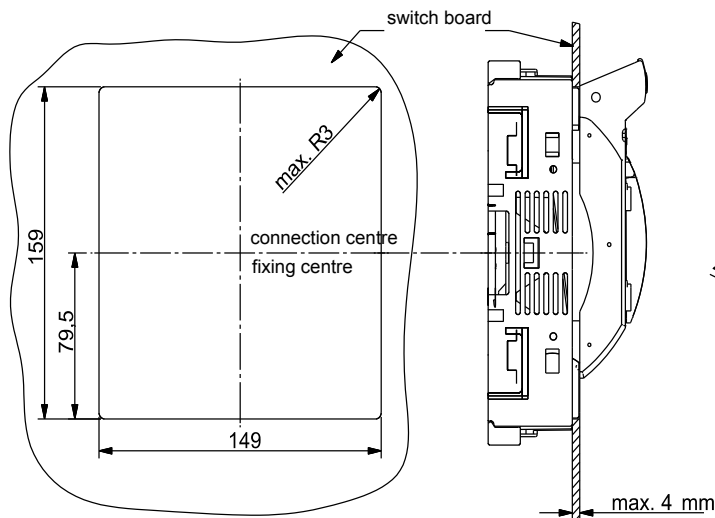
Dimensions

MULTIBLOC® 00.ST8 NH-fuse switch disconnecter quadruple pole (M 01120)

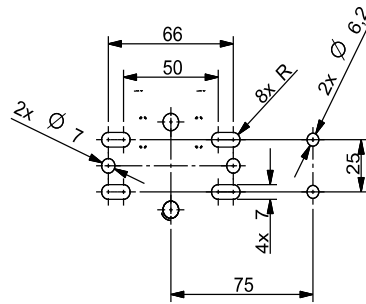


The neutral conductor art. no. 00SZNS (accessory) can be fixed on right side, left side or both sides of switch.

dimensions of switch board cut out for bottom fixing without cover shield



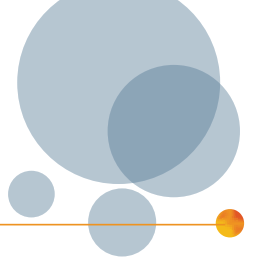
dimensions for bottom fitting



Dimensions in mm

MULTIBLOC® 00.ST8

Size 00 160A, 690VAC Bottom Fitting, 1-,2-,4-pole



Dimensions

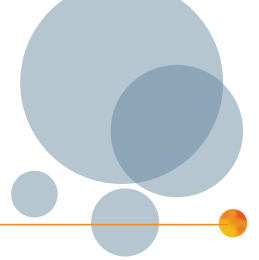
Cable termination size 00 (MA 120c)

| type | N | S | A | R |
|----------------------------------|----------|-------------|---|-------------|
| terminal | screw | clamp strap | Al/Cu clamp | frame clamp |
| | Cu 16-70 | Cu 4-70 | Cu 1,5-70 | Cu 2,5-70 |
| cross section mm ² | Al 16-95 | Al --- | Al 1,5-70 sectoral stranded Al 1,5-95 sectoral solid | Al --- |
| M(an) (Nm) | 10 | 3-4 | 3-4 | 6 |
| | | | | |

Dimensions in mm

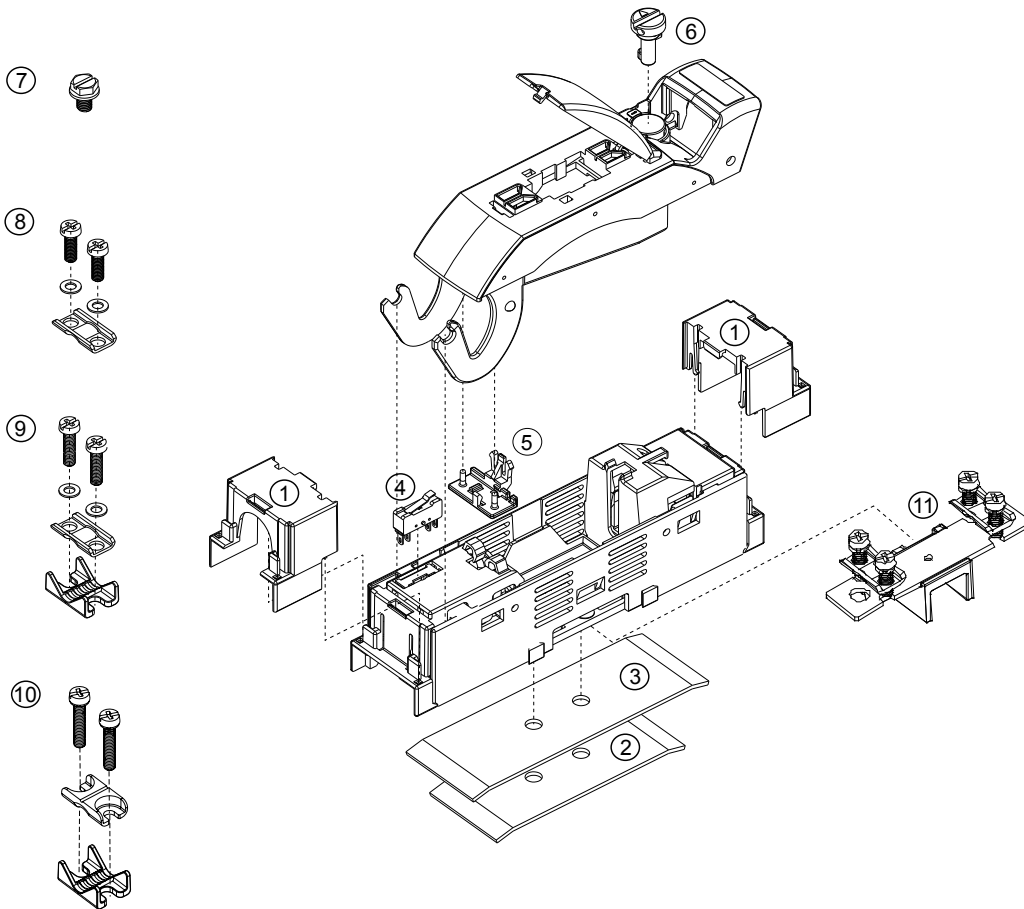
MULTIBLOC® 00.ST8

Size 00 160A, 690VAC Bottom Fitting, 1-,2-,4-pole



Exploded sketch

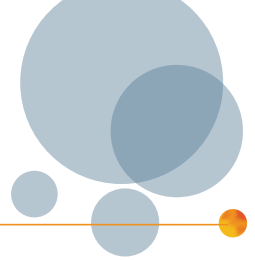
MULTIBLOC® 00.ST8 NH- fuse switch disconnecter single pole (E 1.000.622)



| no. | articlenumber | short description |
|-----|---------------|---|
| 1 | 1.000.149 | Cover for cable termination, single pole |
| 2 | 1.000.151 | Set for mounting on DIN rails 125mm |
| 3 | 1.000.152 | Set for mounting on DIN rails 150mm |
| 4 | MZ00HD | Indicating switch f. switch door position |
| 5 | 1.000.150 | Locking device f. windows, 1 Set=3 pieces |
| 6 | 1.000.155 | Cover sealing device, installation set |
| 7 | 00SZS | M8 terminal screw screw, 1 Set = 3 pieces |
| 8 | 00SZESK | Clamp strap 4 - 70mm², set = 3 pieces |
| 9 | 00SZA70 | Al/Cu clamp 1.5 - 70mm², set = 3 pieces |
| 10 | 1.003.571 | Al/Cu clamp 50 - 95 mm², set = 3 pieces |
| 11 | 00SZNS | Neutral cond. support with clamp strap |

MULTIBLOC® 00.ST8

Size 00 160A, 690VAC Bottom Fitting, 1-,2-,4-pole



Accessories



1.002.764

Cover shields

| Catalog number | Reference number | Design | Weight kg ¹⁾ | Package |
|----------------|------------------|---|-------------------------|---------|
| 1.002.764 | T1022965 | cover shield for installation in distribution units size (width x height): 220 x 240 mm for one 00.ST8 quadruple pole | 0.09 | 1 piece |



1.000.149



Cover/shrouds for cable termination

| Catalog number | Reference number | Design | Weight kg ¹⁾ | Package |
|----------------|------------------|--|-------------------------|---------|
| 1.000.149 | V229282 | cover for cable terminal connection for 00.ST8 single pole, 1 set = 2 pieces | 0.02 | 1 set |
| 1.000.148 | W229283 | cover for cable terminal connection for 00.ST9 triple pole, 1 set = 2 pieces | 0.04 | 1 set |



1.000.148



1.000.151



1.000.152

Installation devices

| Catalog number | Reference number | Design | Weight kg ¹⁾ | Package |
|----------------|------------------|---|-------------------------|---------|
| 1.000.151 | B229288 | adapter for installation on to DIN-rails in accordance with EN 60 715-125 mm for 00.ST8 single pole | 0.08 | 1 piece |
| 1.000.152 | C229289 | adapter for installation on to DIN-rails in accordance with EN 60 715-150 mm for 00.ST8 single pole | 0.10 | 1 piece |



MZ00HD

Indication facilities

| Catalog number | Reference number | Design | Weight kg ¹⁾ | Package |
|----------------|------------------|---|-------------------------|---------|
| MZ00HD | V1022989 | indicator for switch door position micro switch 1 "a" contact/ 1 "b" contact, 5 A, 250 V for MULTIBLOC® 00.ST8 1-, 2-, 4-pole | 0.009 | 1 piece |



1.000.155

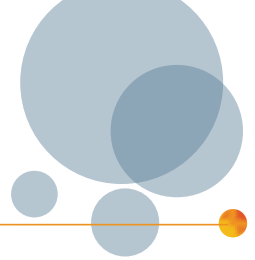
Locking and sealing devices/cover sealing device

| Catalog number | Reference number | Design | Weight kg ¹⁾ | Package |
|----------------|------------------|--|-------------------------|---------|
| 1.000.155 | L229297 | cover sealing device-installation set for 00.ST8 1-, 2-, 4-pole and 1.ST8/RST8 | 0.01 | 1 piece |

1) weight in kg per piece or set including package

MULTIBLOC® 00.ST8

Size 00 160A, 690VAC Bottom Fitting, 1-,2-,4-pole



Accessories



1.000.150

Locking and sealing devices/locking device for window

| Catalog number | Reference number | Design | Weight kg ¹⁾ | Package |
|----------------|------------------|---|-------------------------|---------|
| 1.000.150 | K229296 | locking device for window for 00.ST8 1-, 2-, 4-pole and 1./2.ST8/RST8 1 set = 3 pieces | 0.01 | 1 set |



00SZS



00SZESK



00SZA70



1.003.571



1.003.433



00SZSV6

Varieties of cable termination

| Catalog number | Reference number | Design | Weight kg ¹⁾ | Package |
|----------------|------------------|--|-------------------------|---------|
| 00SZS | M229298 | M8 terminal screw for switch gear size 00 1 set = 3 pieces | 0.03 | 1 set |
| 00SZESK | E214594 | clamp strap Cu 4–70 mm ² for switch gear size 00 1 set = 3 pieces | 0.04 | 1 set |
| 00SZA70 | R211523 | Al/Cu clamp 1,5–70 mm ² for switch gear size 00 1 set = 3 pieces | 0.08 | 1 set |
| 1.003.571 | V1033684 | Al/Cu clamp 50 -95 mm ² round stranded for switch gear size 00 1 set = 3 pieces | 0.10 | 1 set |
| 1.003.433 | L1022958 | triple clamp per pole 1.5 up to 16 mm ² 1 set = 3 pieces | - | 1 piece |
| 00SZSV6 | K1022957 | V-shaped lug size 00, M8, for V-terminal clamp size 00 for switch gear size 00 with screw terminal supplementary set for V-terminal with V-terminal clamps 1 set = 3 pieces | 0.13 | 1 set |

Neutral conductor



00SZNS

| Catalog number | Reference number | Design | Weight kg ¹⁾ | Package |
|----------------|------------------|---|-------------------------|---------|
| 00SZNS | A1023086 | neutral conductor support for lateral installation either left or right side of MULTIBLOC® size 00 cable termination clamp strap Cu 4-70 mm ² round stranded/round solid | 0.07 | 1 piece |

1) weight in kg per piece or set including package