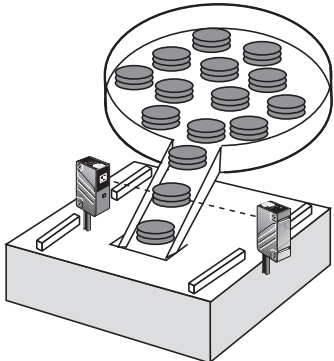
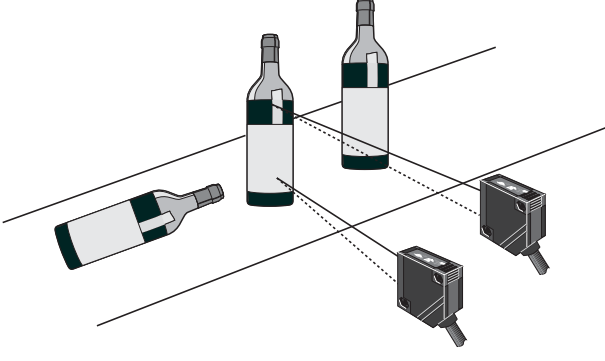
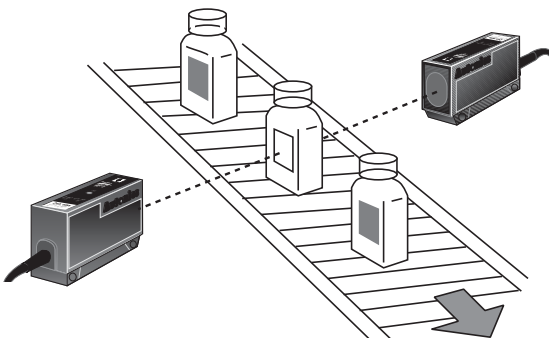
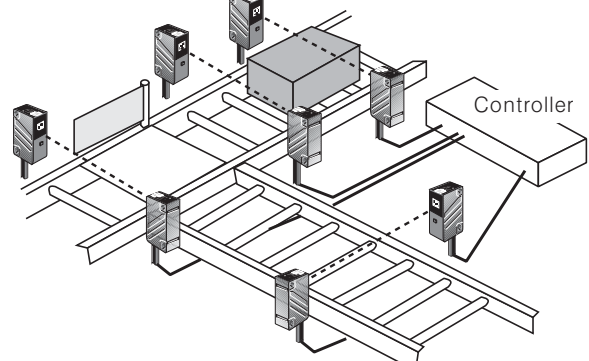
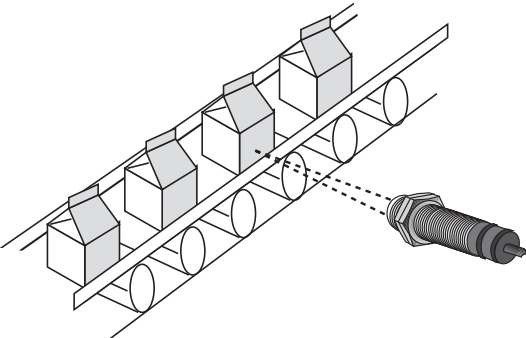
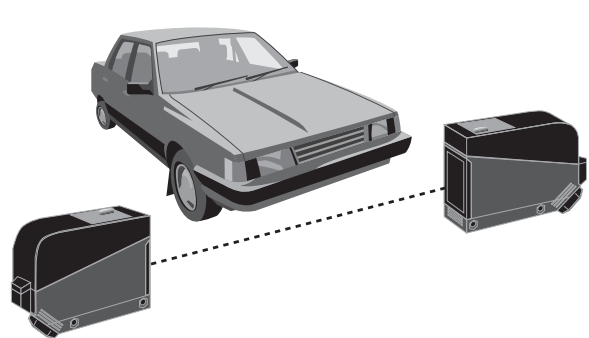
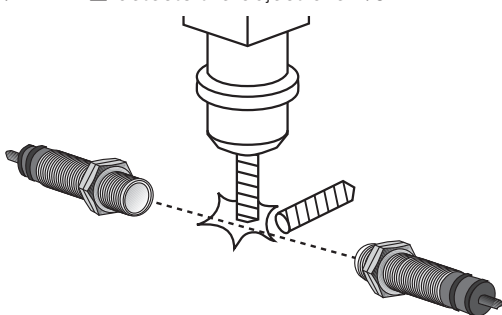
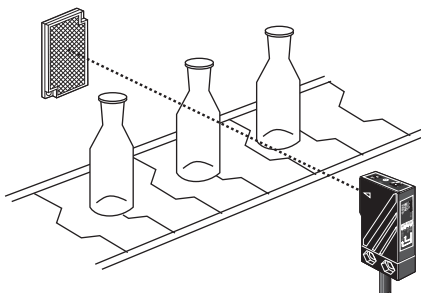


■ Applications

| | |
|--|---|
| <p>Sensing of passing objects in narrow place</p>  | <p>Sensing of fallen bottle</p>  |
| <p>Label sensing of transparent bottle</p>  | <p>Automatic conveyor line</p>  |
| <p>Sensing of milk pack</p>  | <p>Sensing of passing of the car</p>  |
| <p>Sensing of a broken drill blade</p> <p>※If the drill blade is thin, it cannot be detected because BR4M-TDT□ detects the object over 15mm.</p>  | <p>Sensing of present / absence of transparent bottle</p> <p>※Retroreflective type(Enable to adjust sensitivity)</p>  |

(A)
Photo
electric
sensor

(B)
Fiber
optic
sensor

(C)
Door/Area
sensor

(D)
Proximity
sensor

(E)
Pressure
sensor

(F)
Rotary
encoder

(G)
Connector/
Socket

(H)
Temp.
controller

(I)
SSR/
Power
controller

(J)
Counter

(K)
Timer

(L)
Panel
meter

(M)
Tacho/
Speed/
Pulse
meter

(N)
Display
unit

(O)
Sensor
controller

(P)
Switching
power
supply

(Q)
Stepping
motor &
Driver &
Controller

(R)
Graphic/
Logic
panel

(S)
Field
network
device

(T)
Production
stoppage
models &
replacement

Application

■ Applications

