

Waldmann **W**
ENGINEER OF LIGHT.

ENG

TEVISIO | MAGNIFIER LUMINAIRE

••••
LED





TEVISIO. EFFICIENCY WITH FLEXIBILITY AND QUALITY OF VISION.

Whether in laboratories or in the electronics, metal-working or watch-making industries, TEVISIO is essential wherever your eyes are put to the test. In manufacturing, assembly, quality assurance or general examination, it applies ergonomic perfection to support highly demanding visual tasks. With the latest LED's, innovative arm technology and a visual field designed for optimum performance, the TEVISIO magnifier luminaire combines high efficiency with ergonomic design in the workplace.

- 48 premium SMD LED's
- 40% energy savings
- Illuminance: 6,000 lux using only 14 watts
- Maintenance-free: LED life of up to 50,000+ hours
- Continuous dimming to 10%
- 3-D shadow effects with the flick of a switch
- 1A colour reproduction
- 3.5 dioptré magnification
- Scratch-proof glass
- Wide-angle lens Ø 153 mm for distortion-free vision
- Manufactured from aluminium and high-performance polymer
- Sealed joints to protect internal cables
- Large arm radius with innovative flexible head joint
- Balanced arm: easily adjustable, fixing as required

TEVISIO

MAKES THE DIFFERENCE VISIBLE.



Optimal lighting

To allow precise visual operation, TEVISIO has a continuous dimming facility from 100% to 10%. The integrated visualizer function* incorporates three separately switchable light segments. This allows different scenarios to be created to emphasise the surface structure, which can reveal cracks and structural changes.

Level 1A colour reproduction, corresponding to $R_a = 90$, emphasises colours and colour differences. The 3.5 dioptre magnifier doubles the size of even the smallest details. For high precision work, an 8-dioptre accessory lens* provides a total magnification of 11.5 dioptres.

* see overview of optional accessories



Flexible or fixed positioning

The impressive reach of the TEVISIO arm with its highly flexible head joint enables a wide range of positioning and working options.

For maximum operating flexibility, TEVISIO offers a choice of two arm lengths.

Innovative balanced-arm technology (patent pending) allows easy adjustment and precise positioning via six independent swivel joints.



Economical and built to last

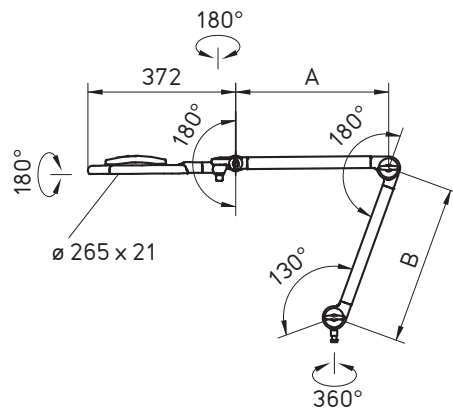
Compared with conventional magnifier luminaires, TEVISIO is 40% more efficient while maintaining high illuminance levels. At an illumination level of 6,000 lux the power consumption is only 14 watts.

The long LED life of up to 50,000+ hours saves on maintenance and downtime costs. This makes TEVISIO highly economical to operate.

The TEVISIO arm has a minimum life of 20,000 movement cycles, demonstrating the durability of Waldmann design.

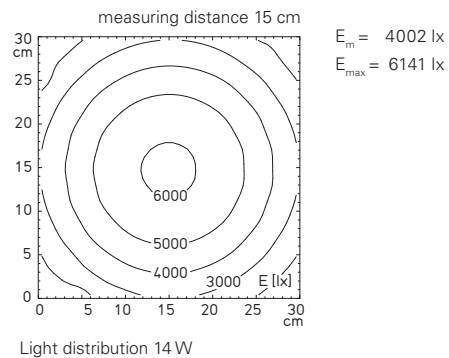
TECHNICAL DATA

efficient^{light}



Features at a glance

- 48 x LED
- Power consumption 14 watts
- Colour temperature neutral white 4,000K
- Light guidance via reflector
- Glass lens Ø 153 mm with 3.5 dioptr magnification or 3.5 + 8 dioptr (with a bonded optional lens)
- Housing made of anodised aluminium and black high-performance polymer
- Flexible head joint for individual adjustment
- Spring-balanced arm
- Touch panel integrated in the luminaire head for on/off, dimming or visualizer function
- IP20, double insulated (class II)
- 100 – 240V, 50/60 Hz operation c/w 3.8m power cable with plug
- Optional mounting accessories (see catalog)



ARM LENGTH	VISUALIZER	ADD-ON LENS	MODEL	ORDER NUMBER
A=484 mm B=500 mm			RLLQ 48 R	112 918 000 - 004 908 93
A=484 mm B=500 mm		•	RLLQ 48 R	112 918 001 - 004 991 54
A=484 mm B=500 mm	•		RLLQ 48/2 R	112 918 002 - 005 090 20
A=484 mm B=500 mm	•	•	RLLQ 48/2 R	112 918 003 - 005 090 17
A=384 mm B=400 mm			RLLQ 48 R	112 919 000 - 004 917 86
A=384 mm B=400 mm		•	RLLQ 48 R	112 919 001 - 004 991 59
A=384 mm B=400 mm	•		RLLQ 48/2 R	112 919 002 - 004 991 64
A=384 mm B=400 mm	•	•	RLLQ 48/2 R	112 919 003 - 004 991 70



A MASTERPIECE IN ERGONOMICS AND QUALITY.

TEVISIO stands for ergonomic design. Its wide field of vision is distortion-free and has a user-friendly, intuitive operation. Smooth surfaces enable easy cleaning.

Durability is guaranteed by the combination of a scratch-proof glass magnifier with an aluminium and high-performance metal replacing GRIVORY® GVX plastic construction. Sealed joints and internal cabling demonstrate Waldmann's premium workmanship standards.



HEADQUARTERS GERMANY

Herbert Waldmann GmbH & Co. KG
Postfach 50 62
78057 VILLINGEN-SCHWENNINGEN
GERMANY
Telephone +49 7720 601-0
Telephone +49 7720 601-100 (Sales)
Fax +49 7720 601-290
www.waldmann.com
sales.germany@waldmann.com

FRANCE

Waldmann Eclairage S.A.S.
Zone Industrielle
Rue de l'Embranchement
67116 REICHSTETT
FRANCE
Telephone +33 3 88 20 95 88
Fax +33 3 88 20 95 68
www.waldmann.com
info-fr@waldmann.com

ITALY

Waldmann Illuminotecnica S.r.l.
Via della Pace, 18 A
20098 SAN GIULIANO MILANESE (MI)
ITALY
Telephone +39 02 98 24 90 24
Fax +39 02 98 24 63 78
www.waldmann.com
info-it@waldmann.com

THE NETHERLANDS

Waldmann B.V.
Lingewei 19
4004 LK TIEL
THE NETHERLANDS
Telephone +31 344 631019
Fax +31 344 627856
www.waldmann.com
info-nl@waldmann.com

AUSTRIA

Waldmann Lichttechnik Ges.m.b.H.
Gewerbepark Wagram 7
4061 PASCHING/LINZ
AUSTRIA
Telephone +43 7229 67400
Fax +43 7229 67444
www.waldmann.com
info-at@waldmann.com

SWEDEN

Waldmann Ljusteknik AB
Skebokvarnsvägen 370
124 50 BANDHAGEN
SWEDEN
Telephone +46 8 990 350
Fax +46 8 991 609
www.waldmann.com
info-se@waldmann.com

SWITZERLAND

Waldmann Lichttechnik GmbH
Benkenstrasse 57
5024 KÜTTIGEN
SWITZERLAND
Telephone +41 62 839 1212
Fax +41 62 839 1299
www.waldmann.com
info-ch@waldmann.com

UNITED KINGDOM

Waldmann Lighting UK Ltd.
Elmfield Road
Morley
LEEDS LS27 0EL
UNITED KINGDOM
Telephone +44 113 2775662
Fax +44 113 2775775
www.waldmann.com
enquiries@waldmannlighting.co.uk

USA

Waldmann Lighting Company
9, W. Century Drive
WHEELING, ILLINOIS 60090
USA
Telephone +1 847 520 1060
Fax +1 847 520 1730
www.waldmannlighting.com
waldmann@waldmannlighting.com

CHINA

Waldmann Lighting (Shanghai) Co., Ltd.
Part A11a, No. Five Normative Workshop
199 Changjian Road, Baoshan
SHANGHAI, P.R.C. 200949
CHINA
Telephone +86 21 5169 1799
Fax +86 21 3385 0032
www.waldmann.com
info@waldmann.com.cn

SINGAPORE

Waldmann Lighting Singapore Pte. Ltd.
22 Cross Street, #02-50/51
South Bridge Court
SINGAPORE 048421
SINGAPORE
Telephone +65 6275 8300
Fax +65 6275 8377
www.waldmann.com
sales-sg@waldmann.com

INDIA

Waldmann Lighting Pvt. Ltd.
Plot No. 52
Udyog Vihar
Phase-VI, Sector-37
GURGAON-122001, Haryana
INDIA
Telephone +91 124 412 1600
Fax +91 124 412 1611
www.waldmann.com
sales-in@waldmann.com