

Check list: Electronic monitoring relays

List of discontinued monitoring relays in direct comparison with replacements from the product ranges PMDsigma and PMDsrangle, including application examples

piltz

Pilz – Complete automation



Total customer proximity

Pilz has a tradition as a family-run company stretching back over 60 years. Real proximity to customers is visible in all areas, instilling confidence through individual consultation, total flexibility and reliable service. Worldwide, round the clock, in 26 subsidiaries and branch offices.

Benefit-oriented innovations

Our customer proximity is the basis for our innovative strength. We are always oriented towards current market requirements, which is why we can offer innovative automation solutions in every case. Market leadership in safe automation secures our leadership in research and technology. Customer proximity and innovation belong together and are mutually dependent.

Overall solutions

Pilz is your solution supplier for all automation functions. Including standard control functions. Pilz developments protect man, machine and the environment. Our automation solutions incorporate our knowledge and experience from the stringent demands of safety technology, as well as the sum of our knowledge gained from over 60 years' experience of general automation technology.

All our experience and knowledge go into individual products and sophisticated system solutions.

- ▶ Sensor technology
- ▶ Control technology
- ▶ Networks
- ▶ Drive technology
- ▶ Operator and visualisation systems
- ▶ Software
- ▶ Automation system PSS 4000
- ▶ Consulting and engineering
- ▶ Training

the spirit of safety

With their knowledge, enthusiasm, creativity and courage to take the unconventional route, our staff have made us what we are today: one of the leading brands in automation technology.

More than 1 400 staff, each one of them an ambassador for safety, make sure that your company's most valuable asset – your staff – can work safely and free from injury.

Exclusion of liability

Our chek list has been compiled with great care. It contains information about our company and our products. All statements are made in accordance with the current status of technology and to the best of our knowledge and belief. While every effort has been made to ensure the information provided is accurate, we cannot accept liability for the accuracy and entirety of the information provided, except in the case of gross negligence. In particular, all information on applicable standards, safety-related classifications and time characteristics should be viewed as provisional. Information in this catalogue does not have the legal quality of assurances or assured properties. We are grateful for any feedback on the contents of this operating manual.

April 2011

All rights to this publication are reserved by Pilz GmbH & Co. KG. We reserve the right to amend specifications without prior notice. Copies may be made for internal purposes. The names of products, goods and technologies used in this manual are trademarks of the respective companies.

Comparison chart for electronic monitoring relays	1.0
Comparison chart	1.1
Application examples	2.0
Application examples	2.1
Service	3.0
Technical offices in Germany, technical support	3.1

Contents	Page
Check list for electronic monitoring relays	
Check list	1.1-2

Check List for Electronic Monitoring Relays

Check list

This check list makes it easier for users to convert from discontinued electronic monitoring relays to the product ranges PMDsigma and PMDsrange. The list below serves purely as a recommendation. You will need to check the listed types and ensure that they are suitable for use in a specific application. We will be happy to advise you with regard to an alternative solution for your application. In this case please contact Technical Support. Please refer to our country-specific hotline addresses in the Service chapter.

Electronic monitoring relays PMD

On electronic monitoring relays, electrical safety is the focus. They reduce the number of hazardous situations for man and machine and increase the service life of plant and machinery. Save costs and guarantee an efficient production cycle.

PMDsigma is the new generation of electronic monitoring relays. Unit parameter settings are simply and conveniently menu-driven via display and encoder with key function (turn and push). The configuration is stored on a chip card.

PMD s10 – the true power converter for single and three-phase electrical machinery, trip device for undervoltage and overvoltage.

PMD s20 - the insulation monitor monitors the insulation resistance of unearthed AC/DC systems (IT systems).

PMDsrange units in 22.5 mm slimline housing cover the widest range of functions. In addition to current, voltage and insulation monitors, the range also includes relays for true power, phase sequence and thermistor monitoring.

Online information on PMD is available at www.pilz.com, webcode 0224

Check list

Function	Discontinued unit	Replacement PMDsrange	Replacement PMDsigma
True power monitoring	P1WP	S1WP	PMD s10
	P1WPF	S1WP	PMD s10
	P1W03	S1WP	PMD s10
	P1W4	S1WP	PMD s10
	P1WP3	S1WP	PMD s10
	P1W	S1WP	PMD s10
	P1WU	S1WP	PMD s10
	P1WM	S1WP	PMD s10
	P1FI-2NK/DA	S1WP	PMD s10
	P1FI-2NK/DR	S1WP	PMD s10
	P1FI-2NK/AA	S1WP	PMD s10
Current monitoring	P1IK	S1IM	
	Z1IZ	S1IM	
	PIZ3		
	P1I-1NB	S1IM	
Single-phase voltage monitoring	P1UK/r	S1UM UP	
	Z1UZ	S1UM	
	P1U-1NB/Z	S1UM	
	P1U-1NB	S1UM	
	P1UK	S1UK, S1UM UP	
Three-phase voltage monitoring	P1U3U	S3UM	
	P1U3	S3UM	
	P1U3E	S3UM	
Phase sequence monitoring	P1PN	S1PN	
	P1P-1SK	S1PN	
	NPR	S1PN	
	SPR	S1PN	
Insulation monitoring	P1E-1SK	S1EN	PMD s20
	P1E-2NK	S1EN	PMD s20
	P1EG	S1EN	PMD s20
	P1E-1NK	S1EN	PMD s20

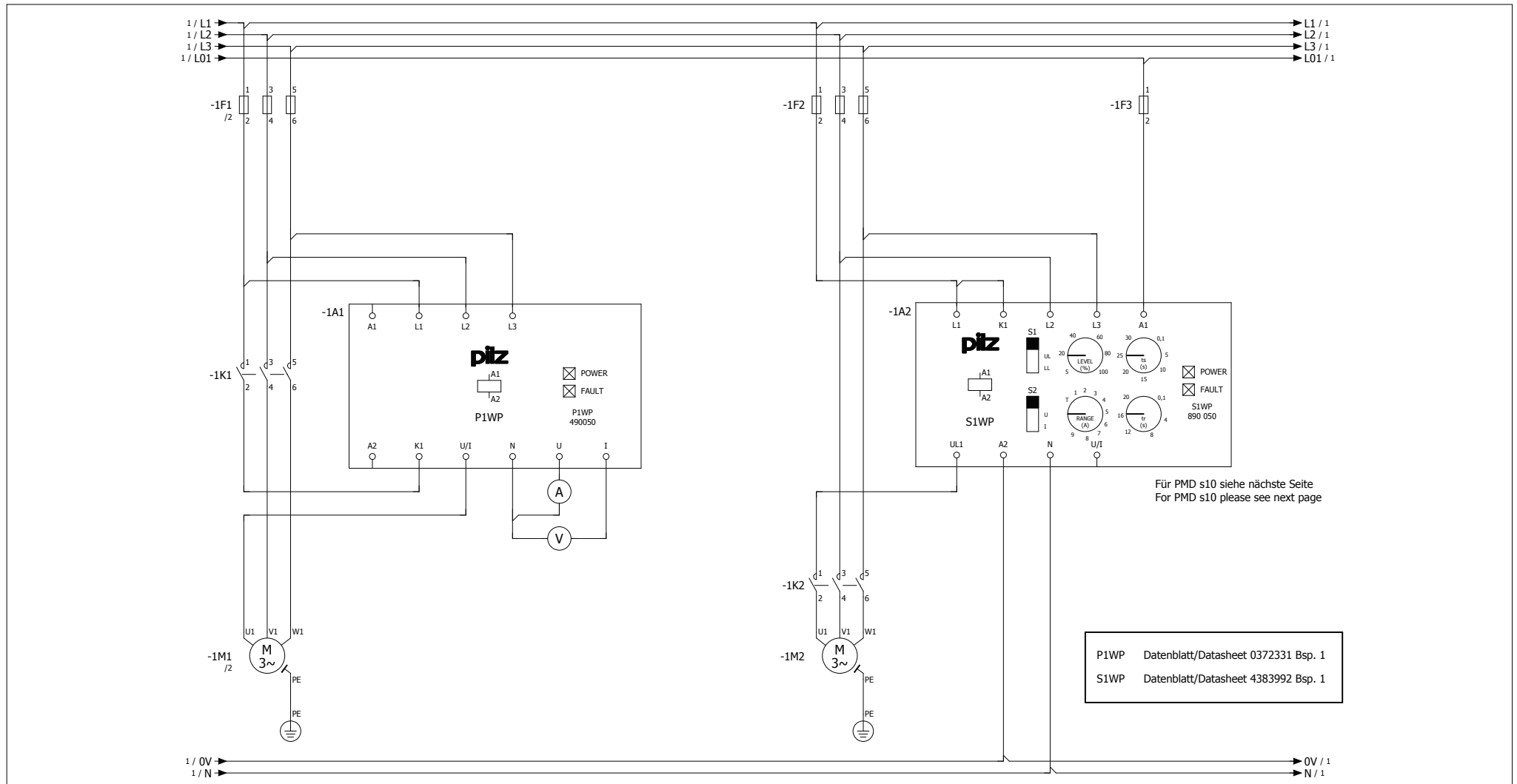
Check list

Function	Discontinued unit	Replacement PMDsrange	Replacement PMDsigma
Standstill monitoring	SW	S1SW P	
Thermistor monitoring	P1M-1SK	S1MS	
	P1M-1NK	S1MN	
	P1MS	1-8 x S1MN	
	P1M-1SO	S1MO	
	P1MO	S1MO	
	Z1MS	S1MS	
	Z1MN	S1MN	
	Z1MO	S1MO	
	Z1M2	2x S1MN	
P1M-2NK	S1MO		
Full motor protection relay	P1MV	S1PN + S1MO	
Analogue monitoring	P1K		
	P1KU		

Contents	Page
Application examples	
True power monitoring	
P1WP – S1WP	2.1-3
P1WP – PMD s10	2.1-4
P1WPF – S1WP	2.1-5
P1WPF – PMD s10	2.1-6
P1W03 – S1WP	2.1-7
P1W03 – PMD s10	2.1-8
P1W4 – S1WP	2.1-9
P1W4 – PMD s10	2.1-10
P1WP3 – S1WP	2.1-11
P1WP3 – PMD s10	2.1-12
P1W – S1WP	2.1-13
P1W – PMD s10	2.1-14
P1WU/P1WM – S1WP	2.1-15
P1WU/P1WM – PMD s10	2.1-16
P1FI-2NK/DA – S1WP	2.1-17
P1FI-2NK/DR – S1WP	2.1-18
P1FI-2NK/AA – S1WP	2.1-19
Current monitoring	
P1IK – S1IM	2.1-20
Z1IZ – S1IM	2.1-21
PIZ3	2.1-22
P1I-1NB – S1IM	2.1-23
Single-phase voltage monitoring	
P1UK/r – S1UM UP	2.1-23
Z1UZ – S1UM	2.1-24
P1U-1NB/Z – S1UM	2.1-25
P1U-1NB – S1UM	2.1-26
P1UK – S1UK/S1UM UP	2.1-27

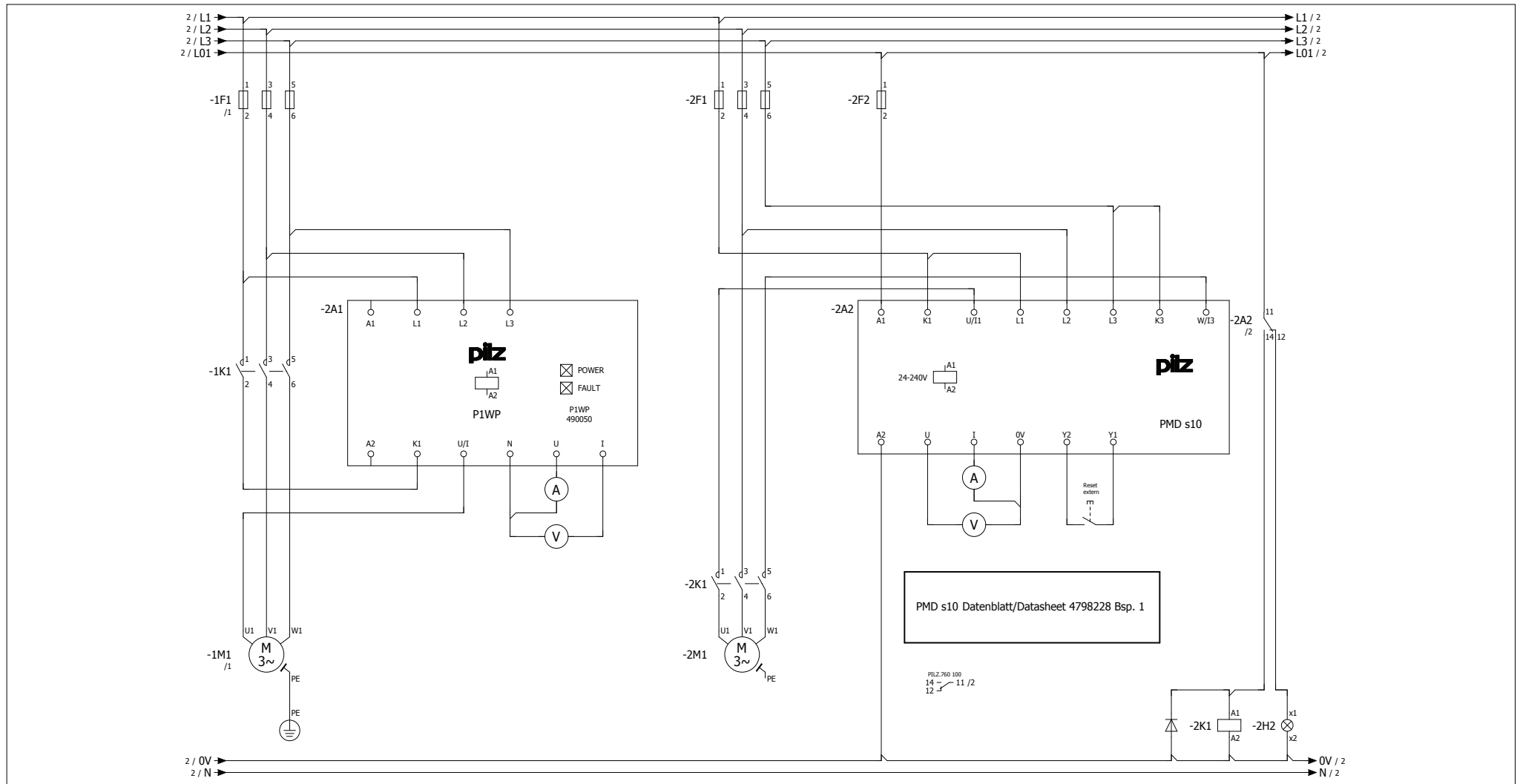
Contents	Page
Three-phase voltage monitoring	
P1U3U – S3UM	2.1-28
P1U3 – S3UM	2.1-29
P1U3E – S3UM	2.1-30
Phase sequence monitoring	
P1PN – S1PN	2.1-31
P1P-1SK – S1PN	2.1-32
NPR – S1PN	2.1-33
SPR – S1PN	2.1-34
Insulation monitoring	
P1E-1SK – S1EN	2.1-35
P1E-2NK – S1EN	2.1-36
P1EG – S1EN	2.1-37
P1E-1NK – S1EN	2.1-38
Standstill monitoring	
SW – S1SW P	2.1-39
P1M-1SK – S1MS	2.1-40
P1M-1NK – S1MN	2.1-41
P1MS – S1MN	2.1-42
P1M-1SO – S1MO	2.1-44
P1MO – S1MO	2.1-45
Z1MS – S1MS	2.1-46
Z1MN – S1MN	2.1-47
Z1MO – S1MO	2.1-48
Z1M2 – S1MN	2.1-49
P1M-2NK – S1MO	2.1-51
Full motor protection relay	
P1MV – S1PN and S1MO	2.1-53
Analogue monitoring	
P1K	2.1-55
P1KU	2.1-56

P1WP – S1WP



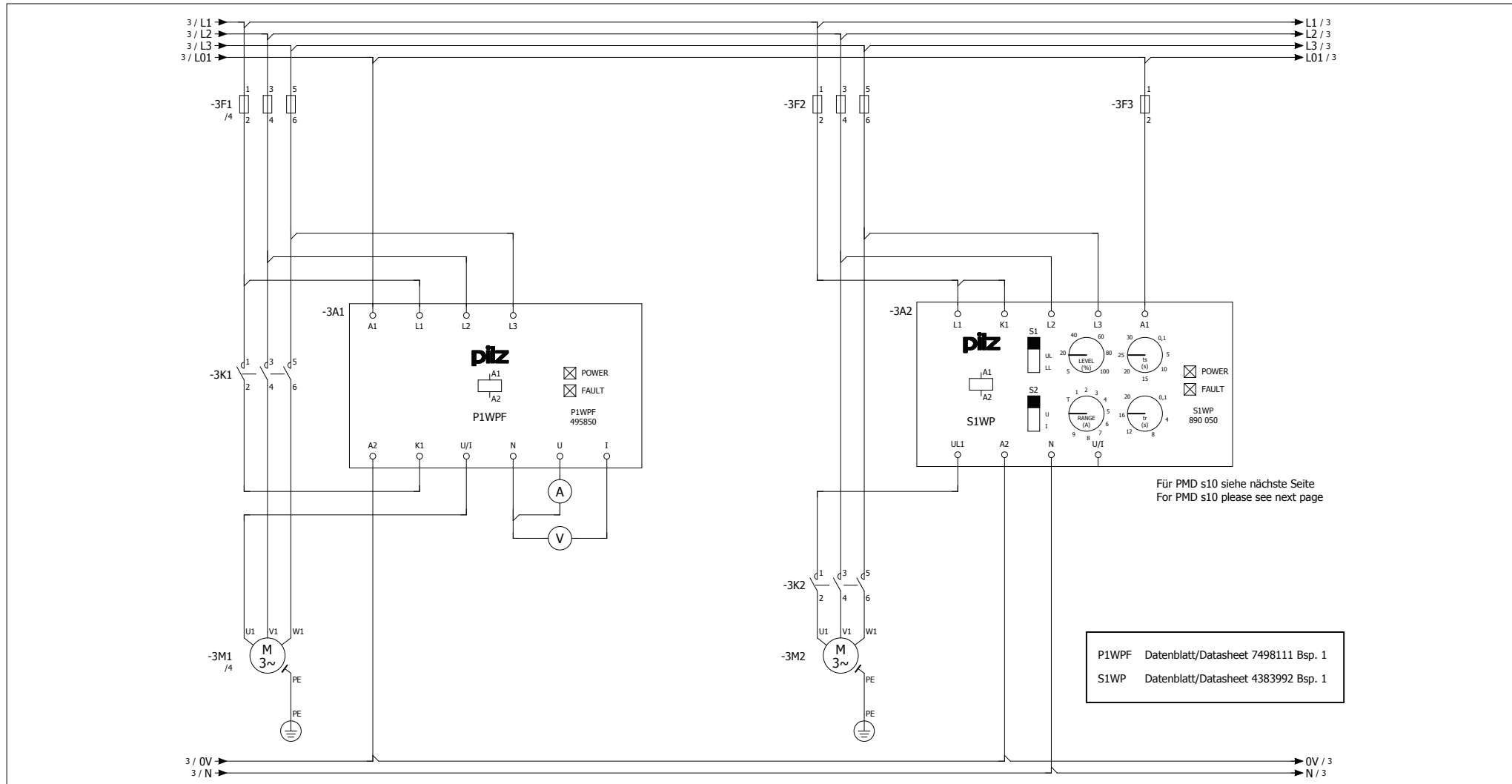
2.1

P1WP – PMD s10

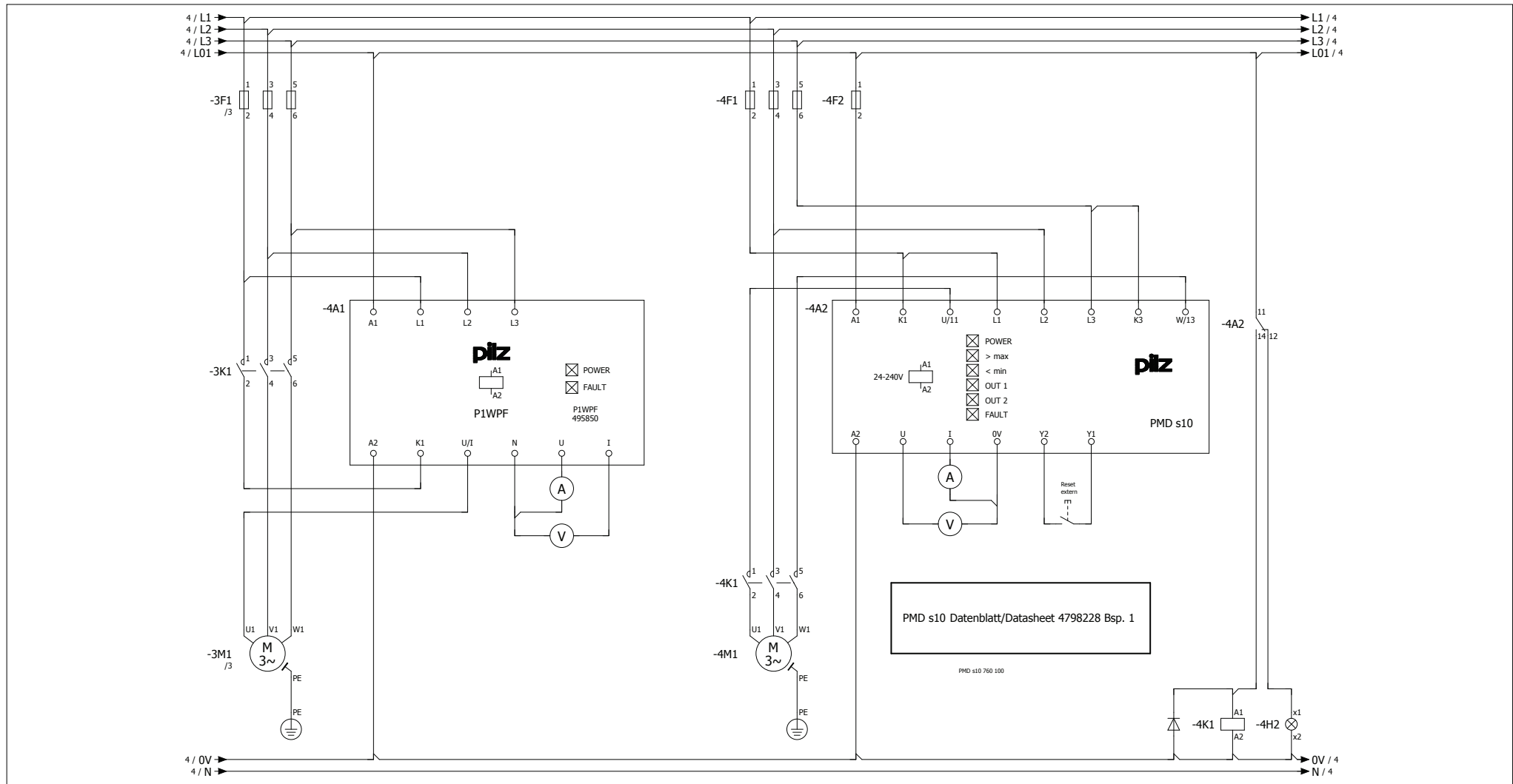


2.1

P1WPF – S1WP

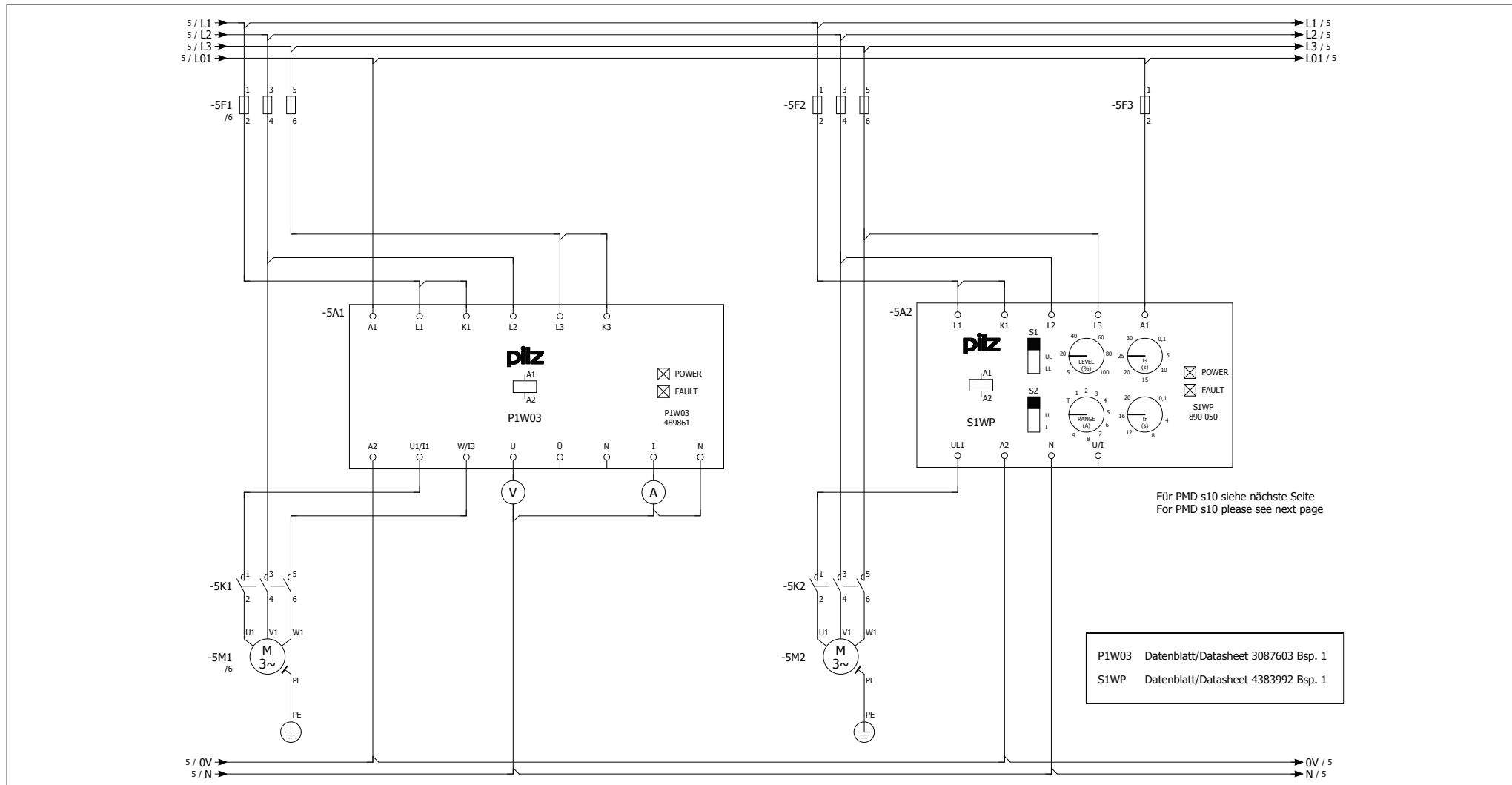


P1WPF – PMD s10

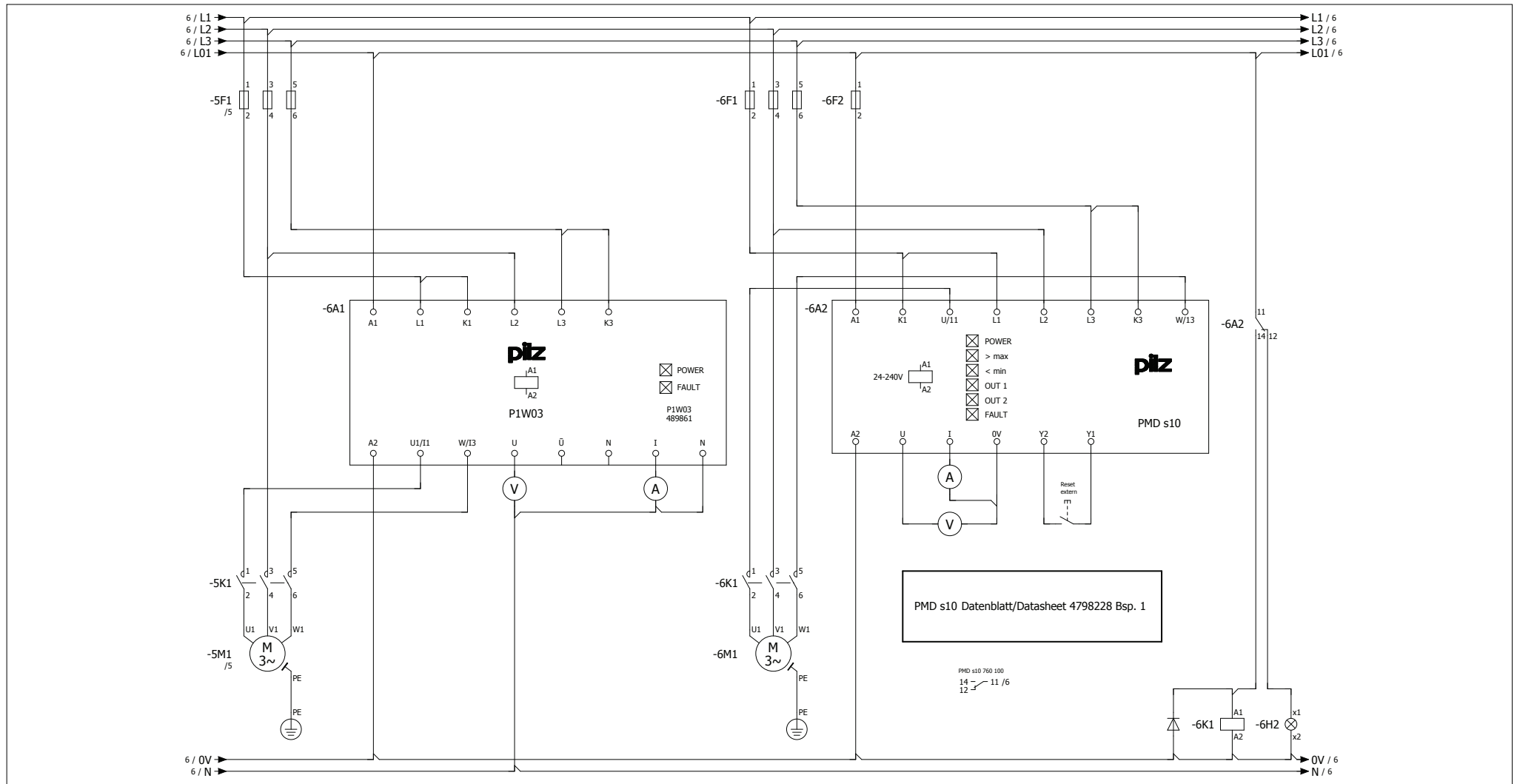


2.1

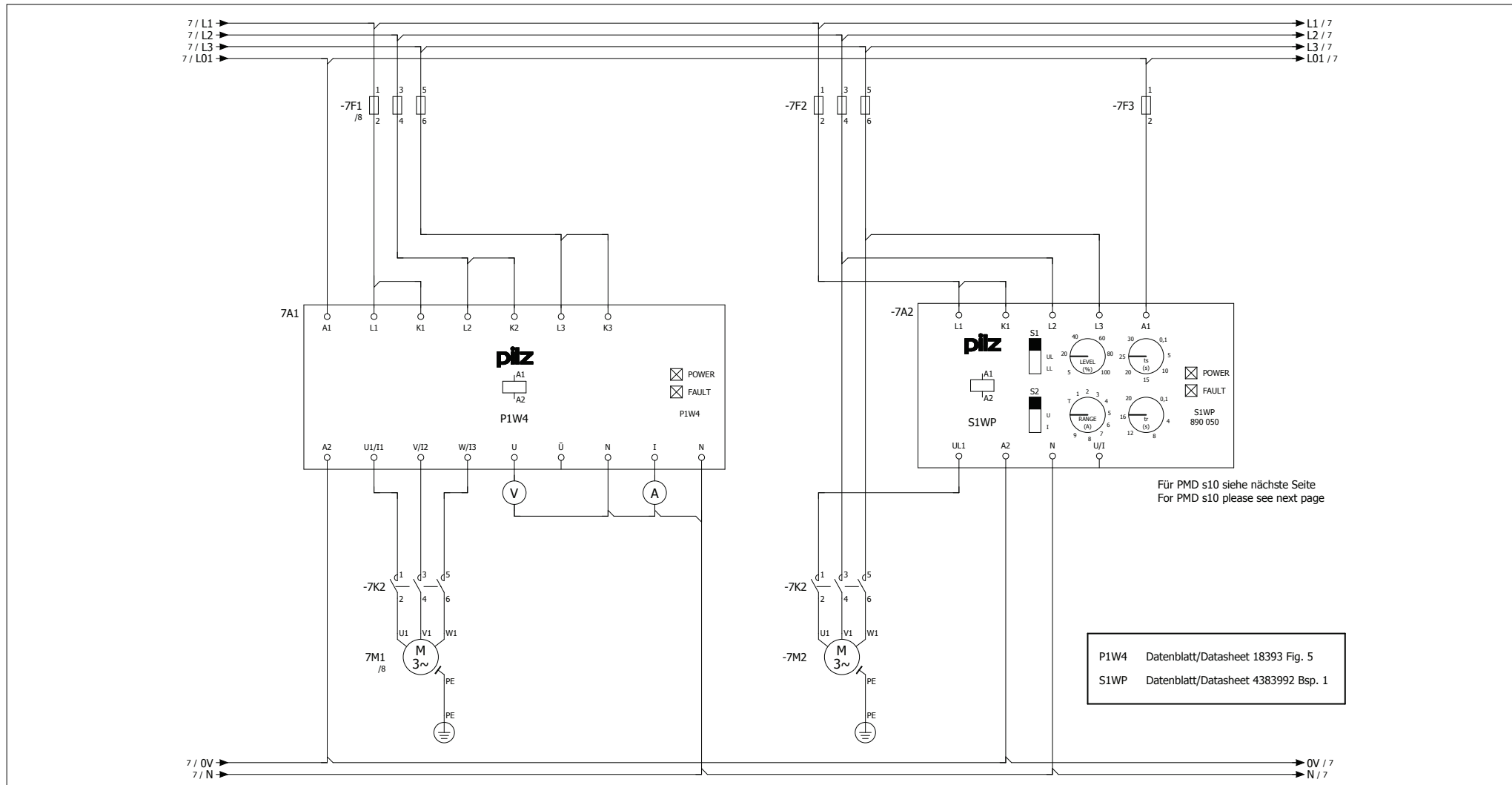
P1W03 – S1WP



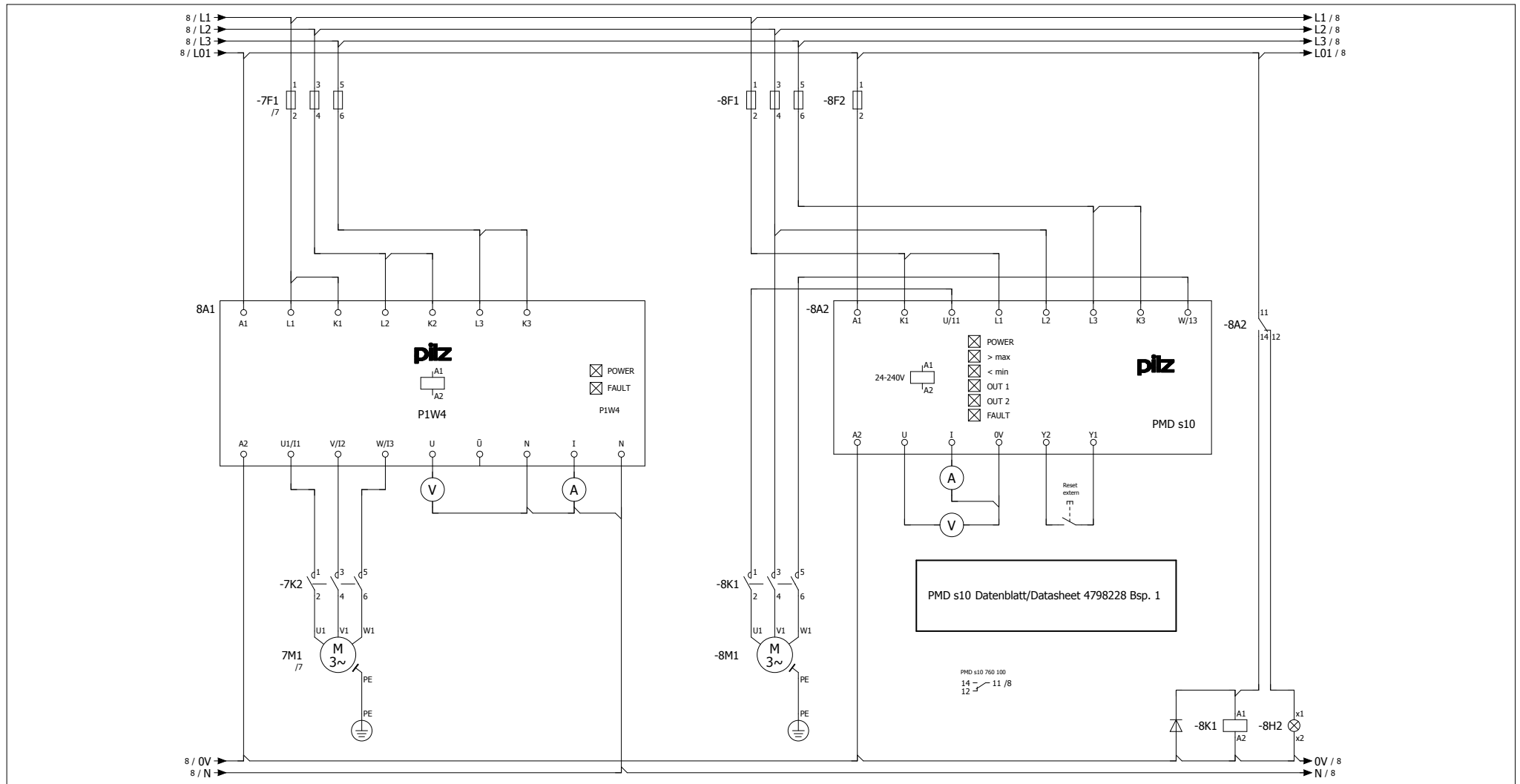
P1W03 – PMD s10



P1W4 – S1WP

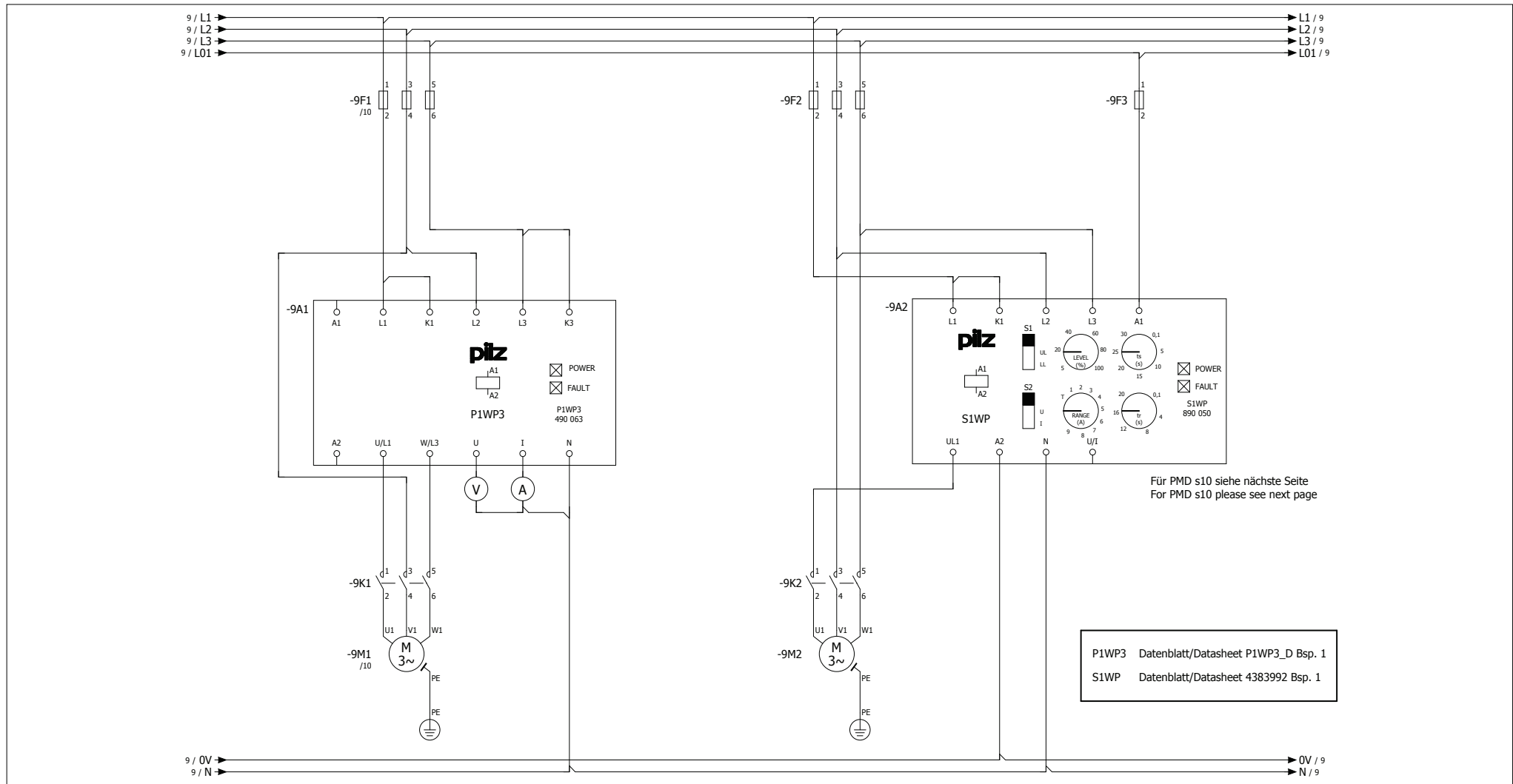


P1W4 – PMD s10



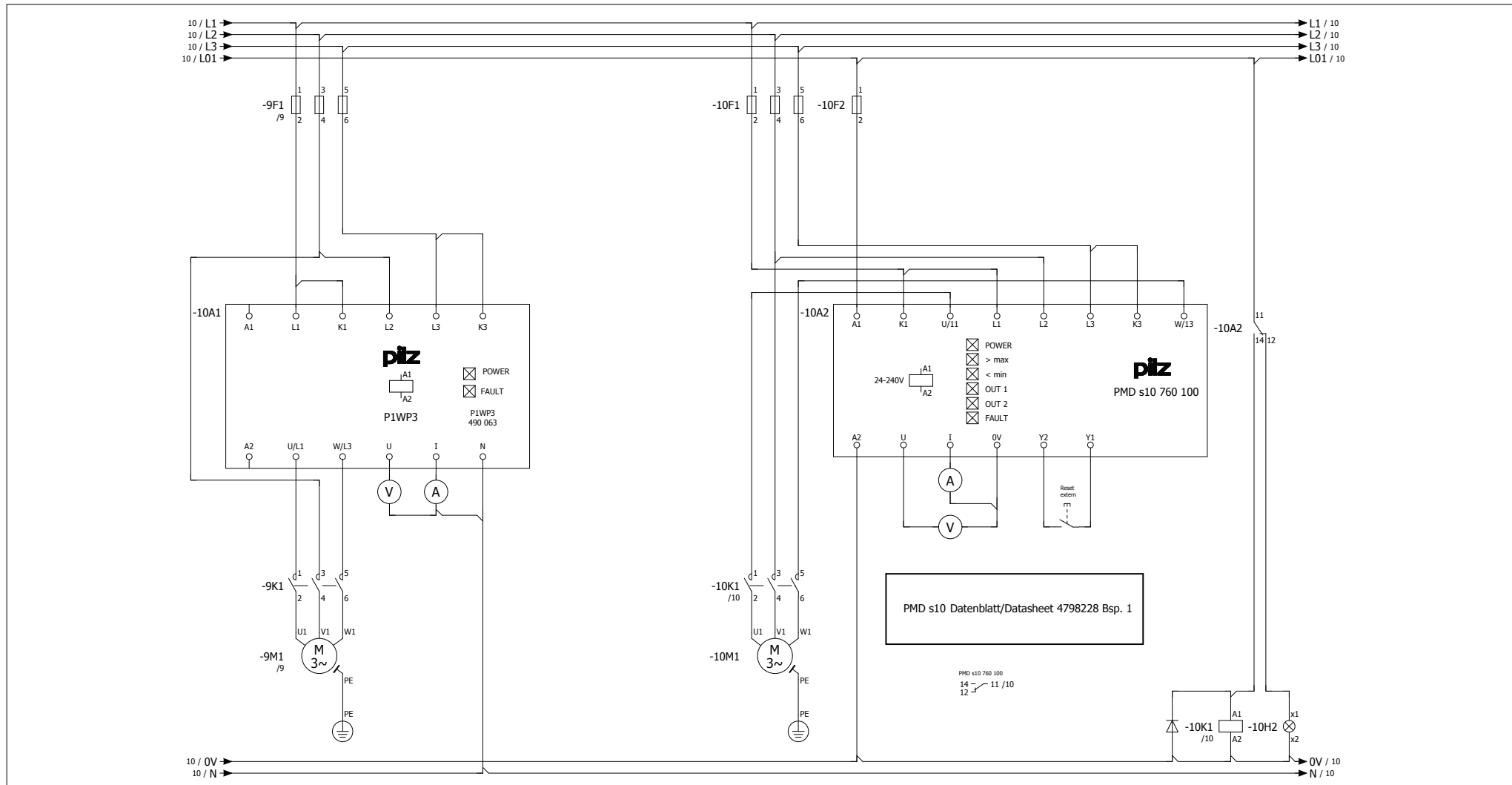
2.1

P1WP3 – S1WP

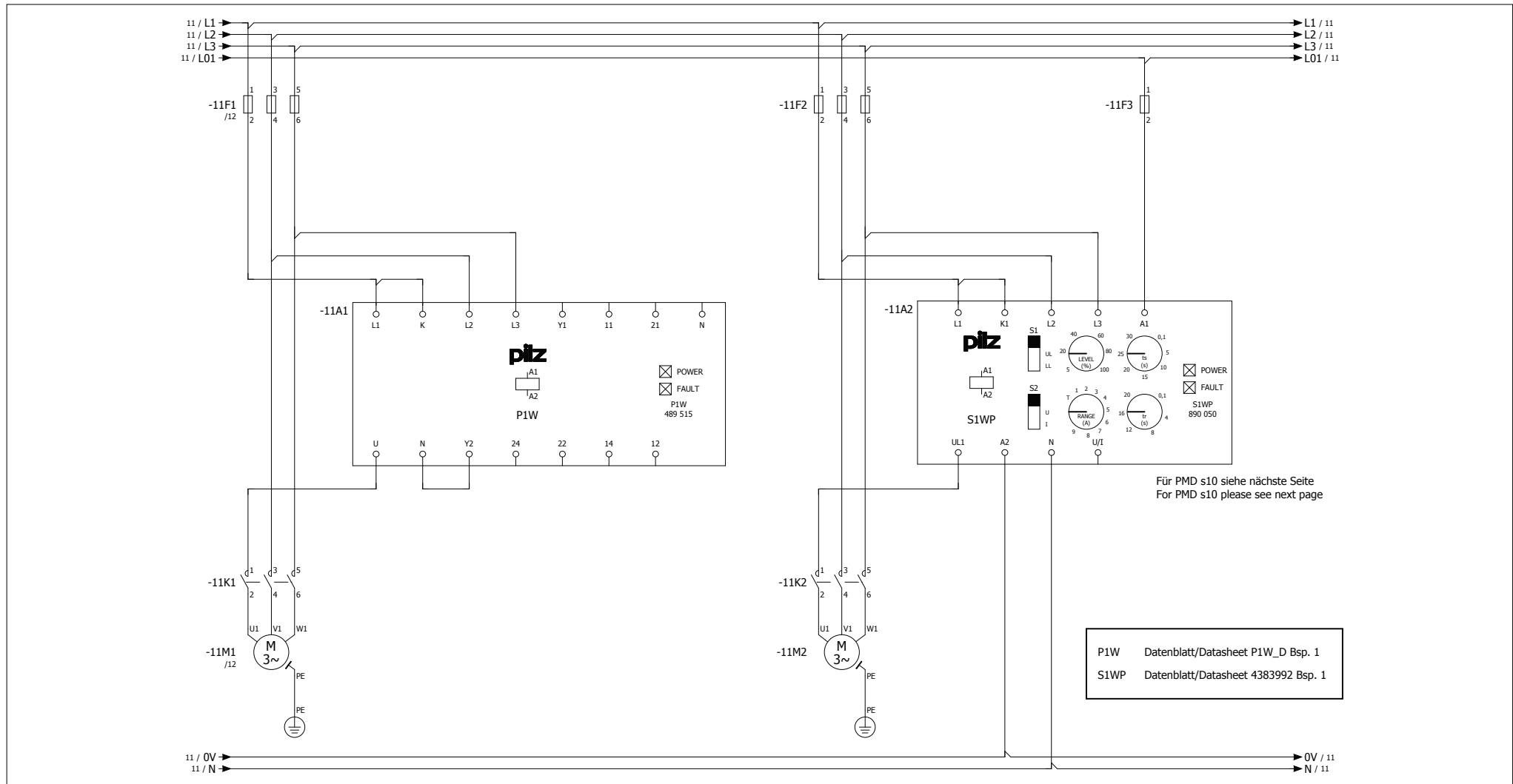


2.1

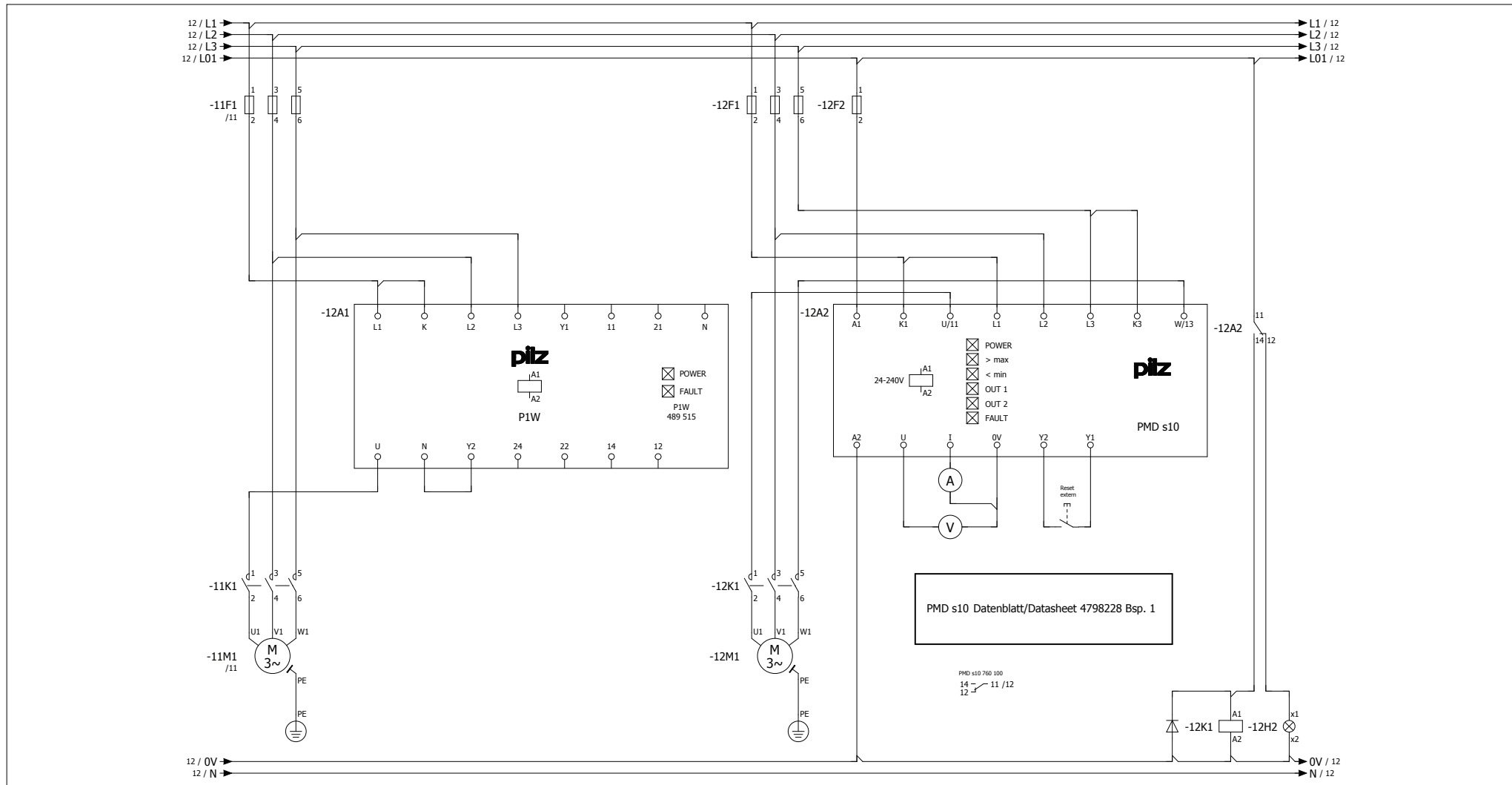
P1WP3 – PMD s10



P1W – S1WP

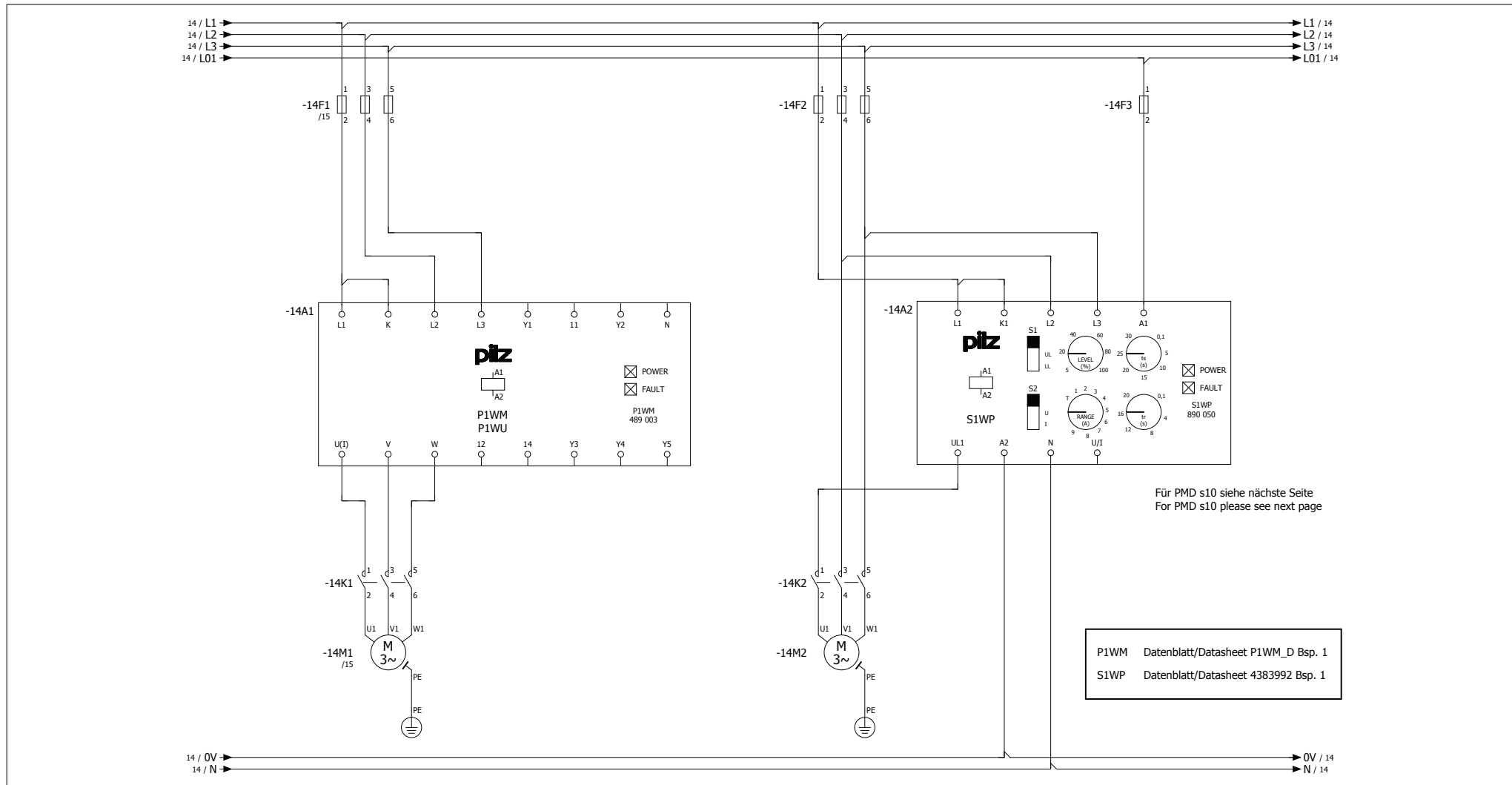


P1W – PMD s10



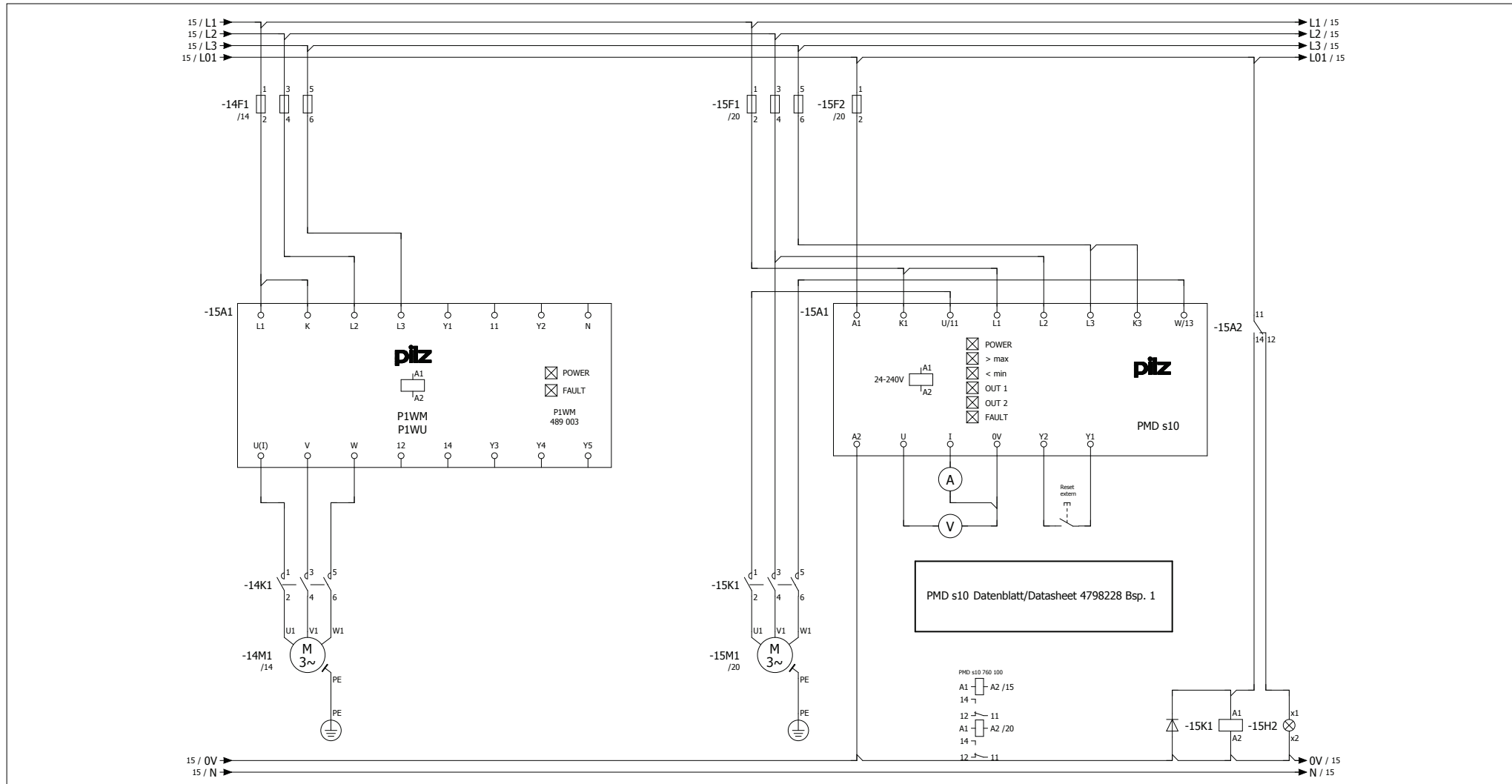
2.1

P1WU/P1WM – S1WP

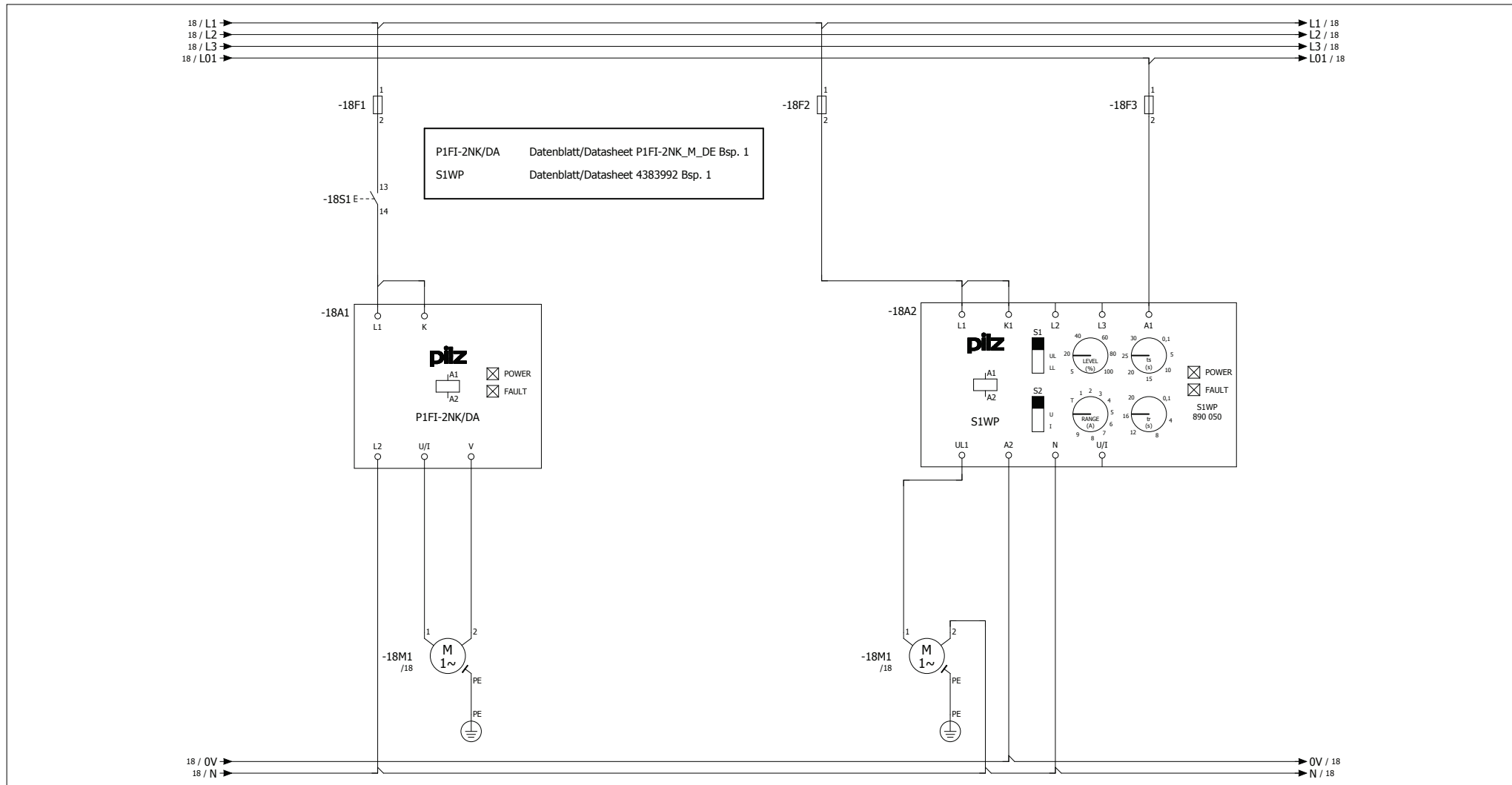


2.1

P1WU/P1WM – PMD s10

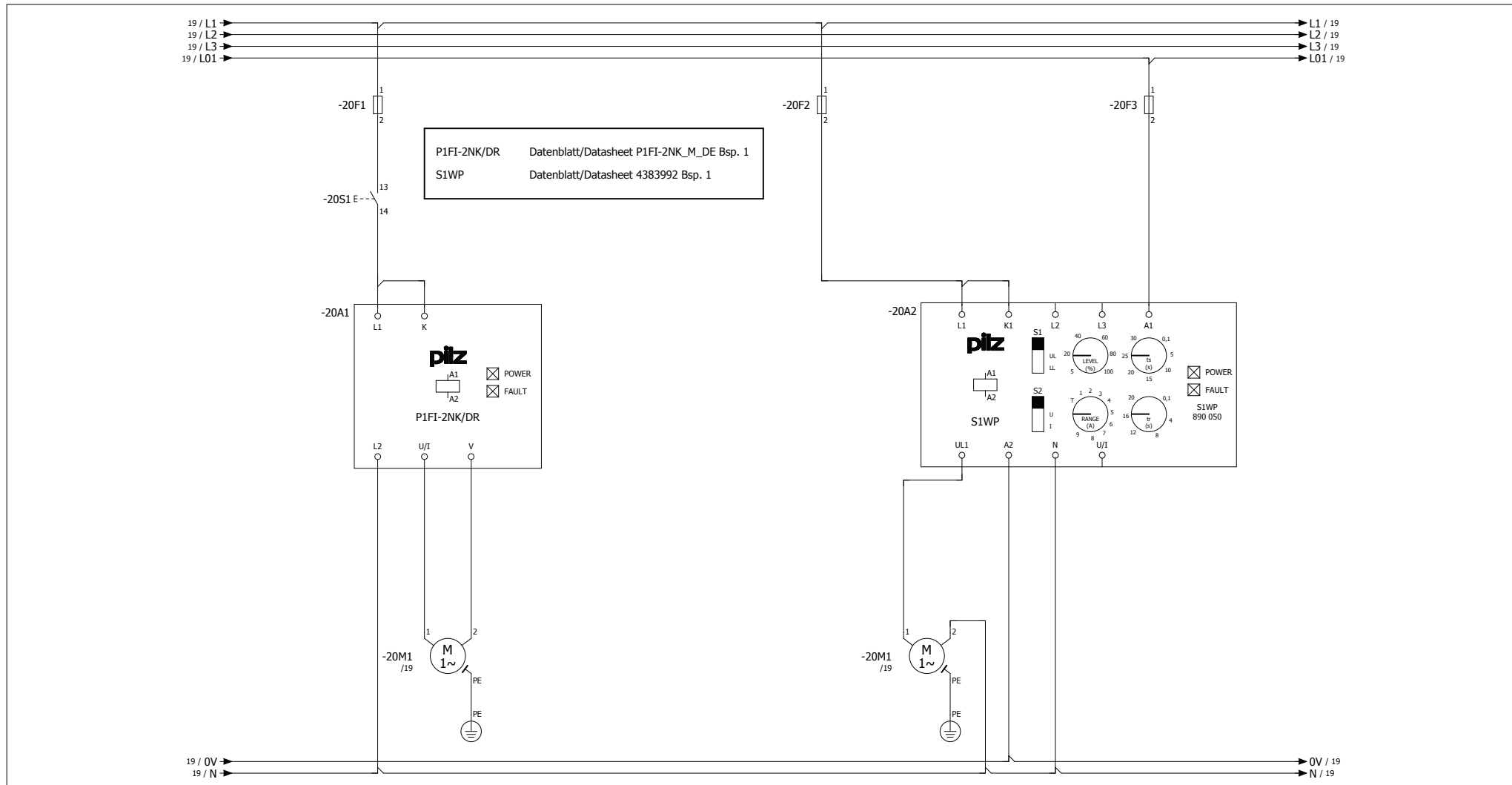


P1FI-2NK/DA – S1WP

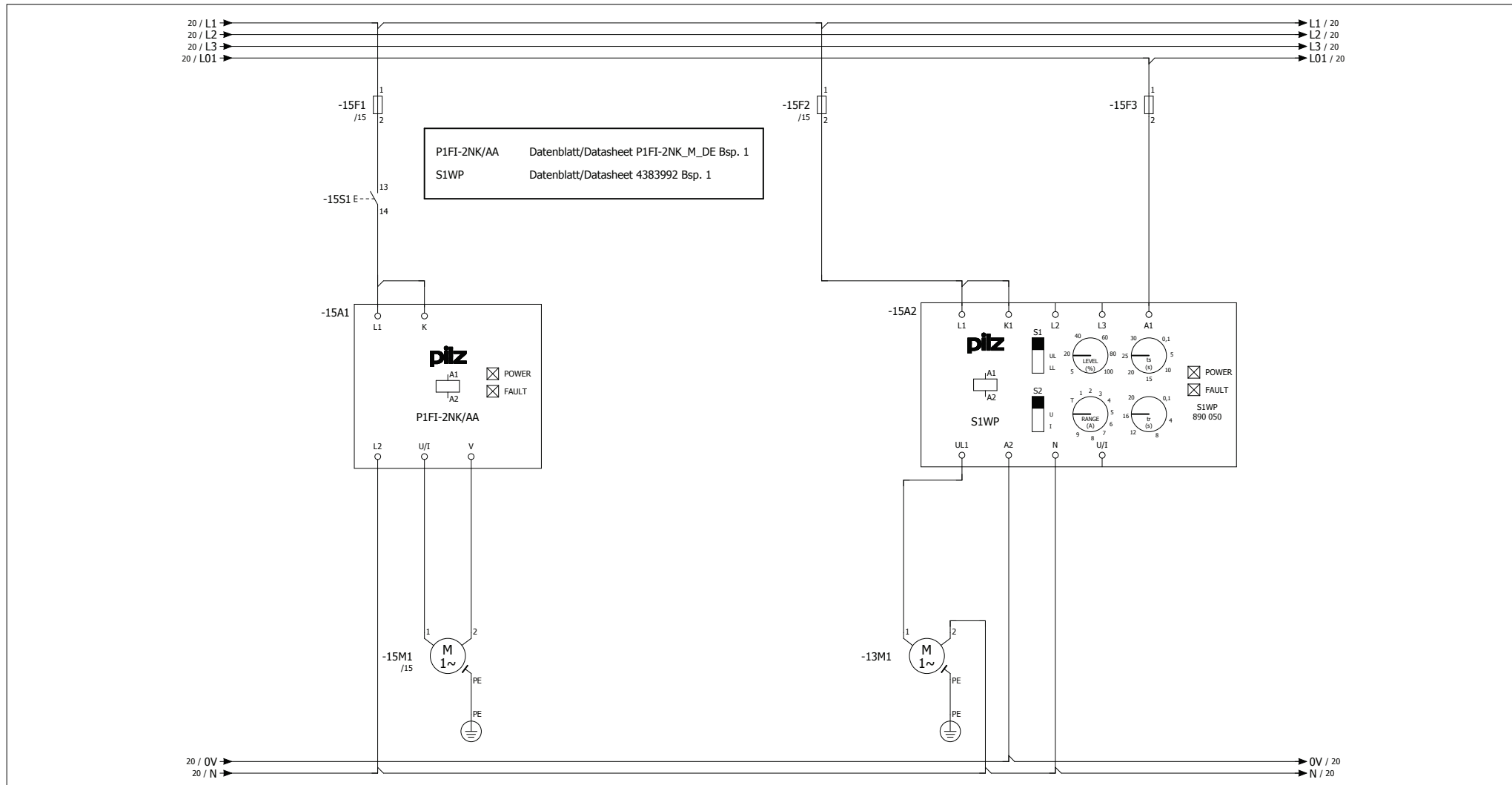


2.1

P1FI-2NK/DR – S1WP

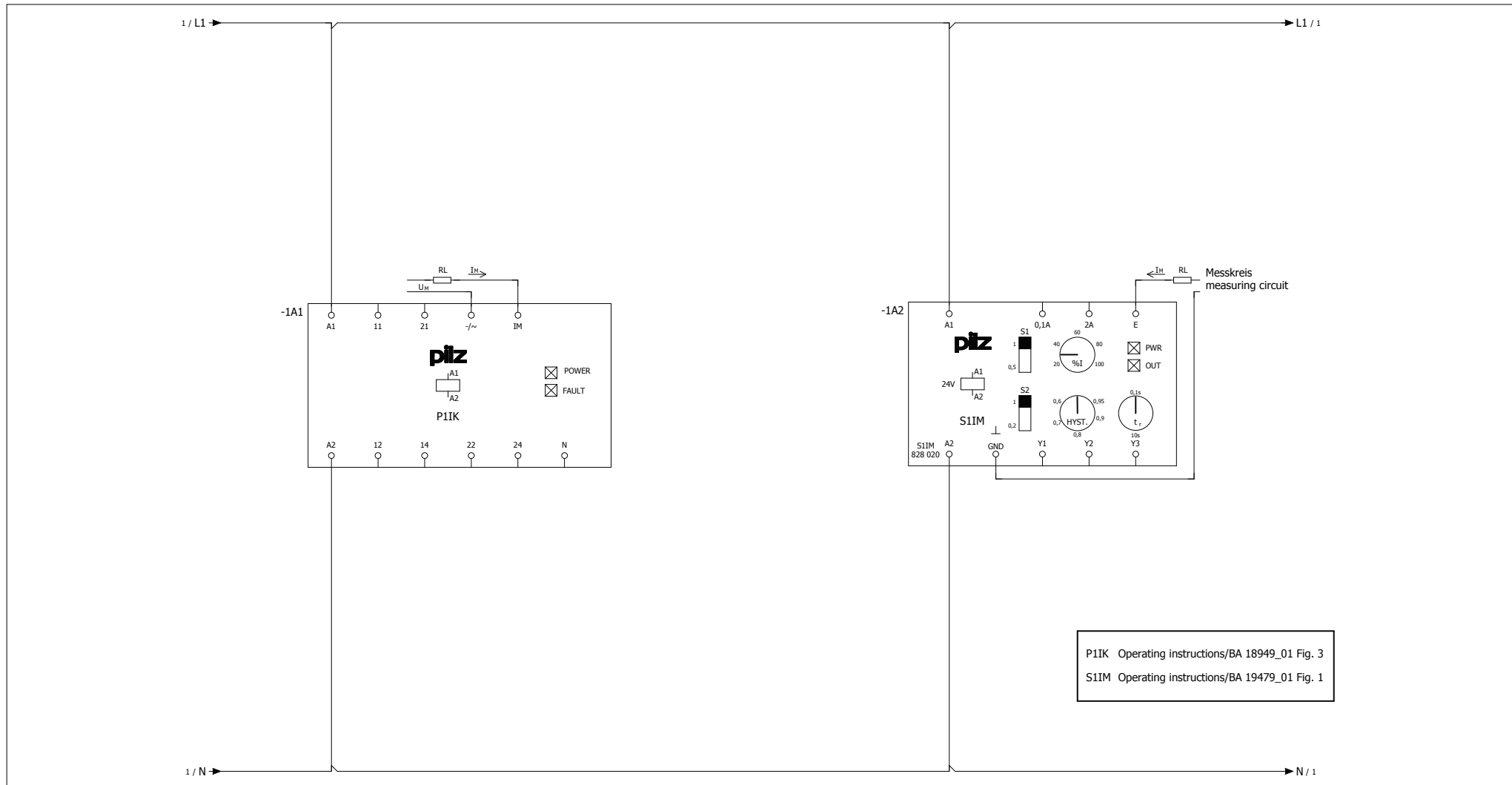


P1FI-2NK/AA – S1WP



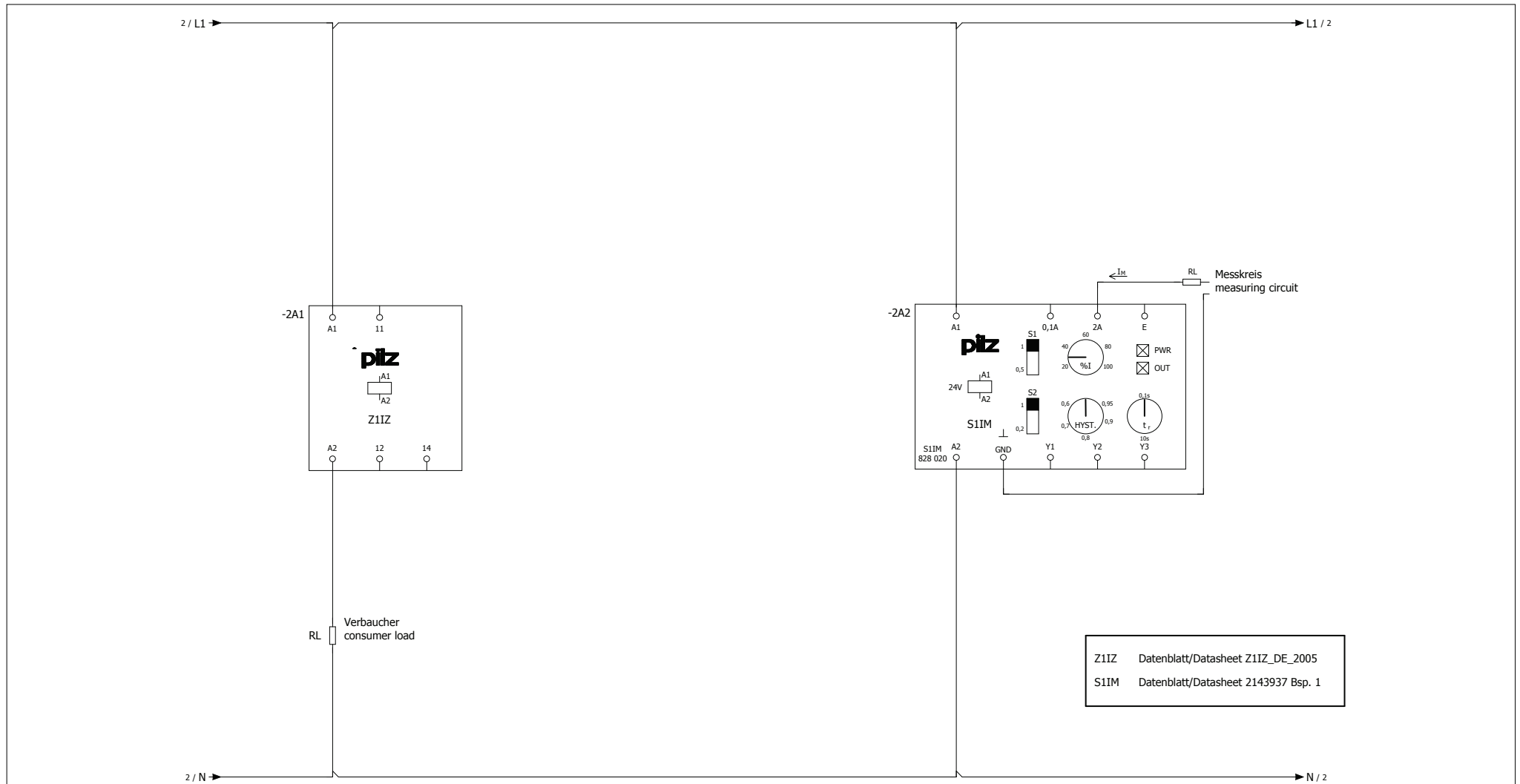
2.1

P1IK – S1IM

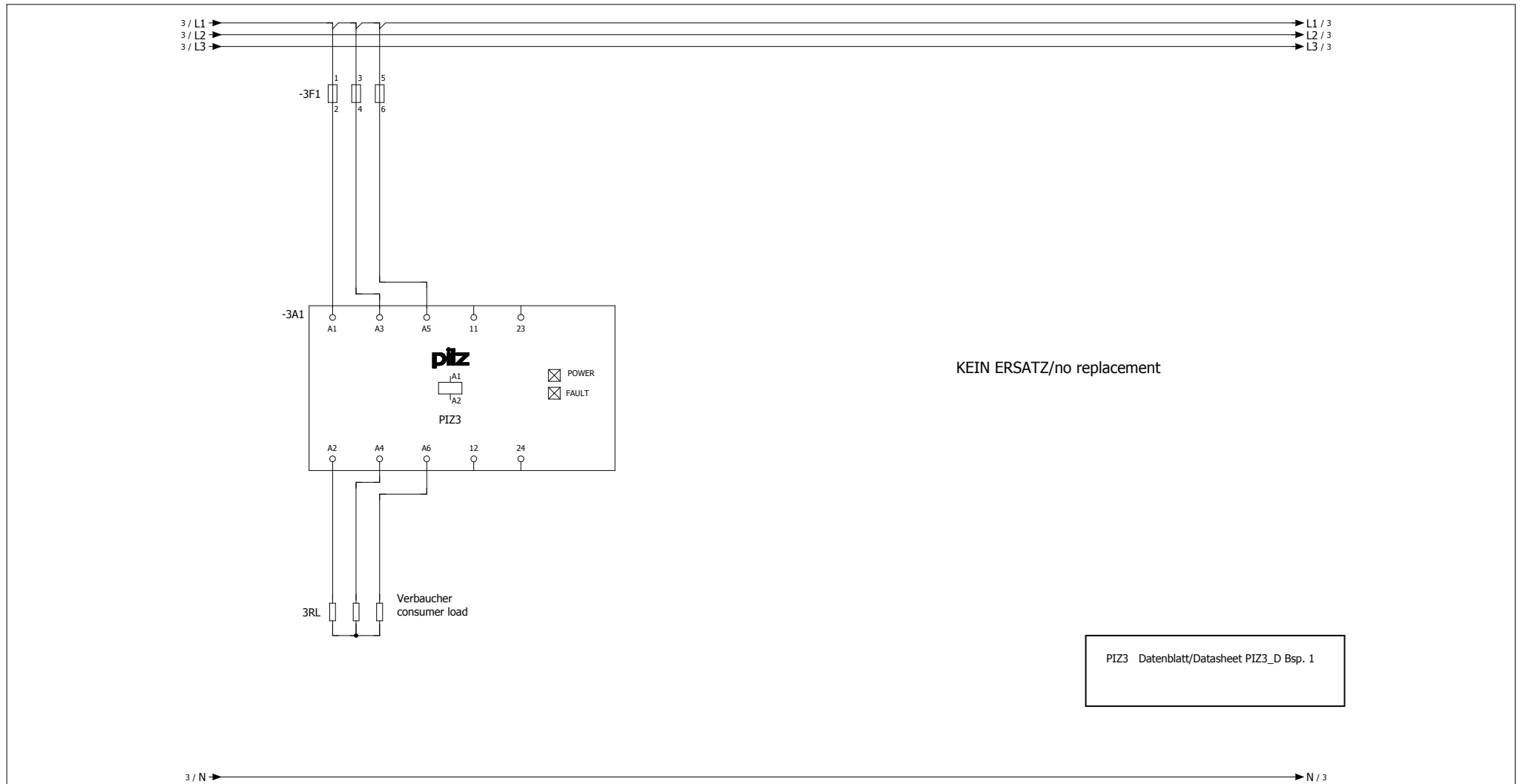


2.1

Z1IZ – S1IM

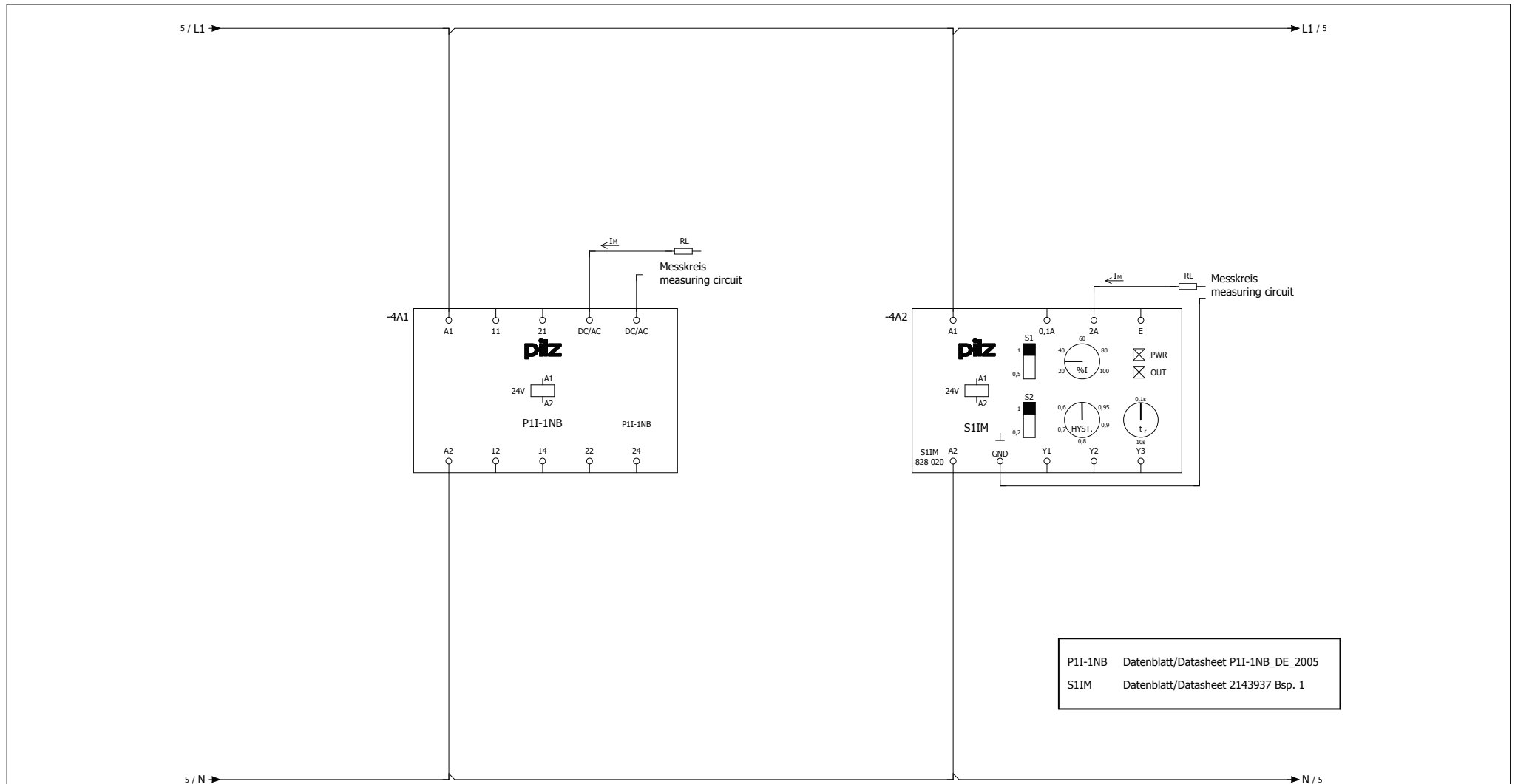


PIZ3

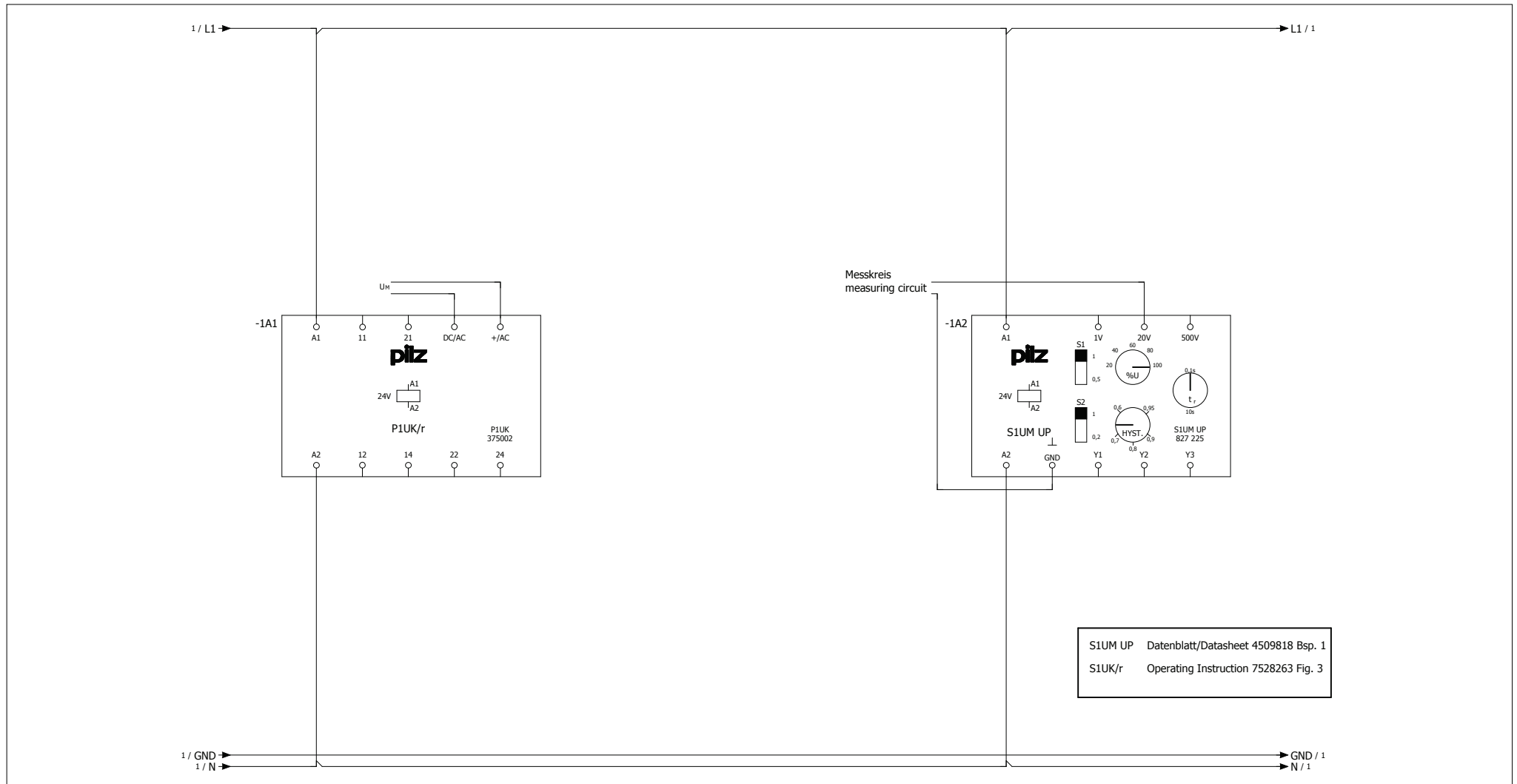


2.1

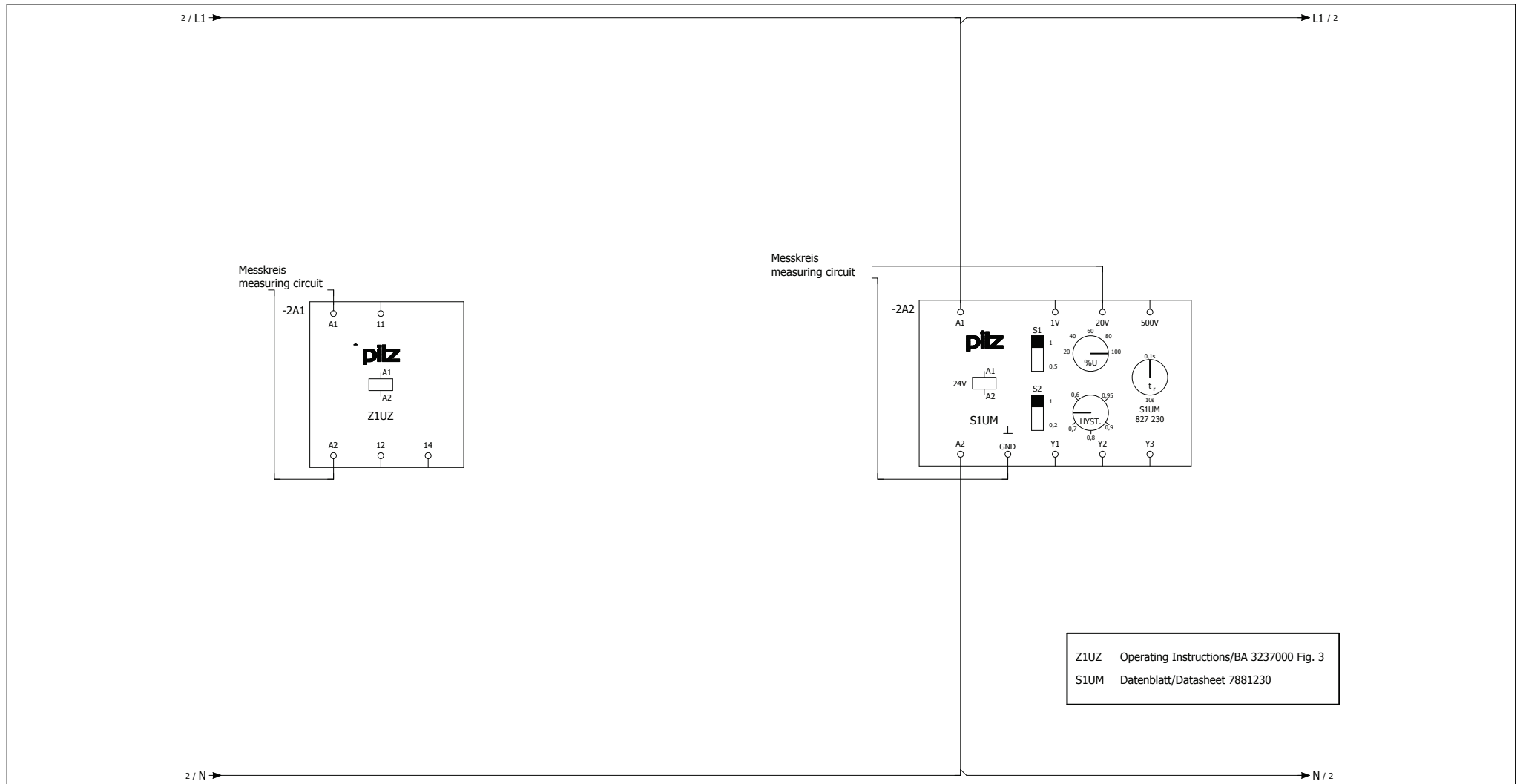
P1I-1NB – S1IM



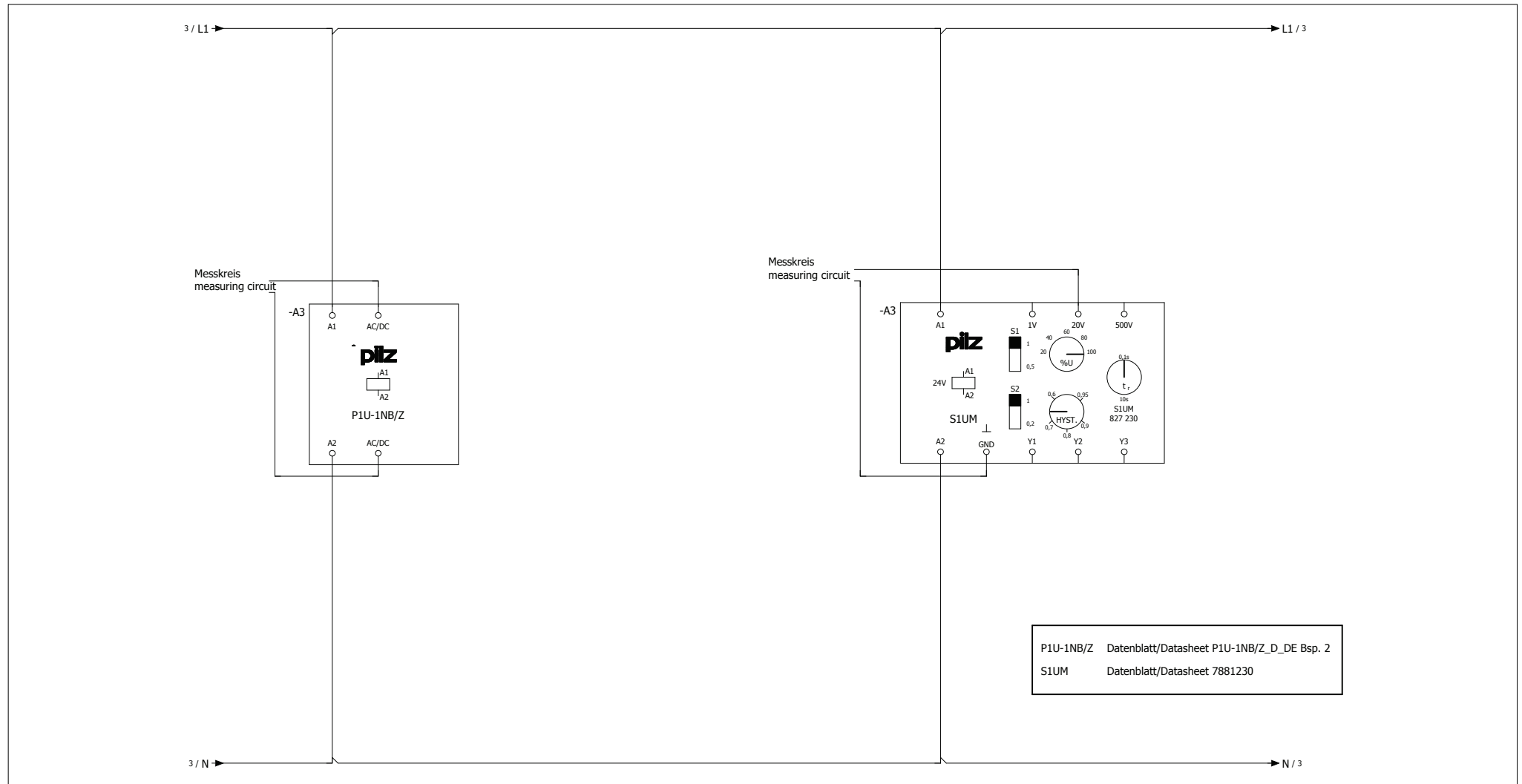
P1UK/r – S1UM UP



Z1UZ – S1UM

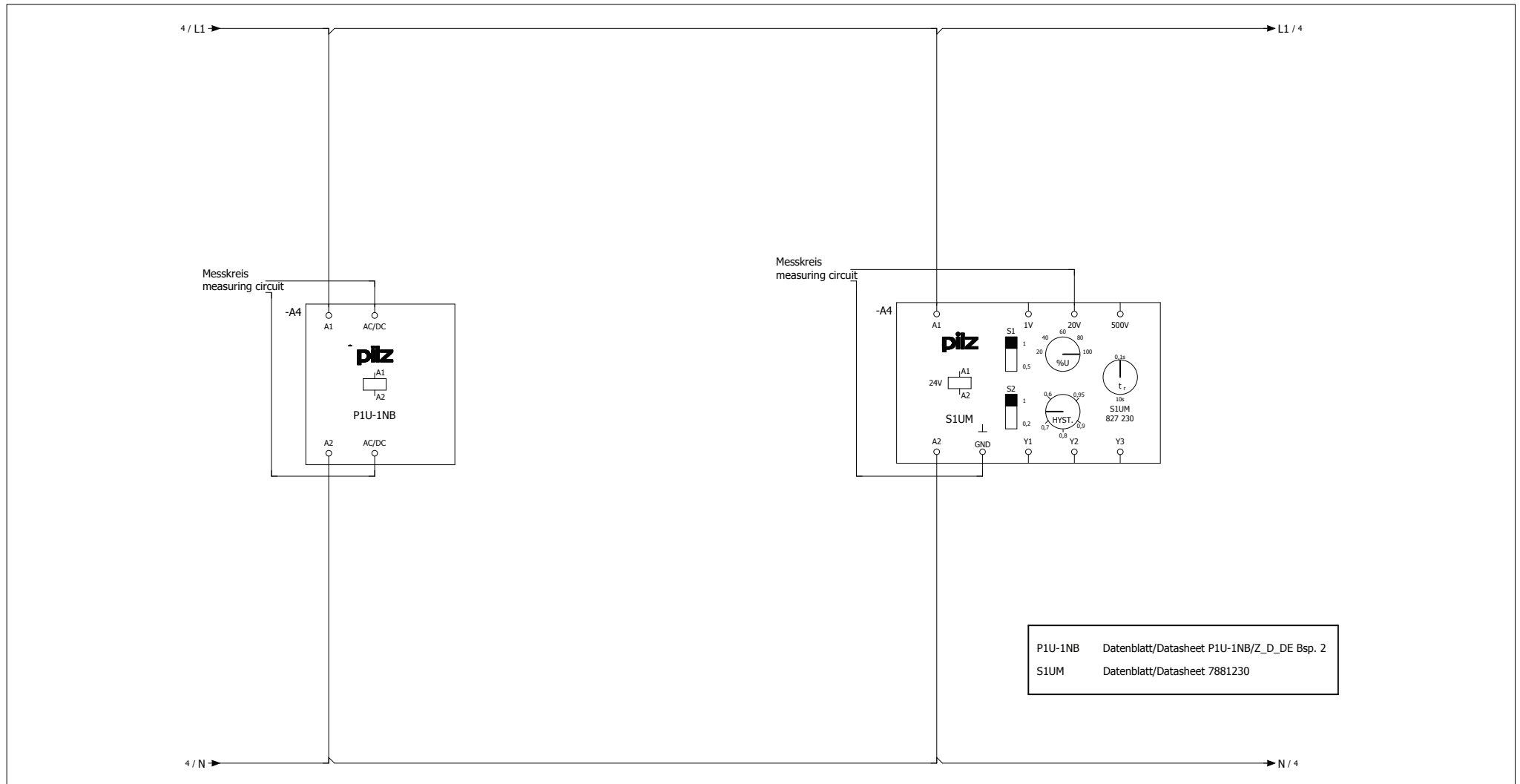


P1U-1NB/Z – S1UM

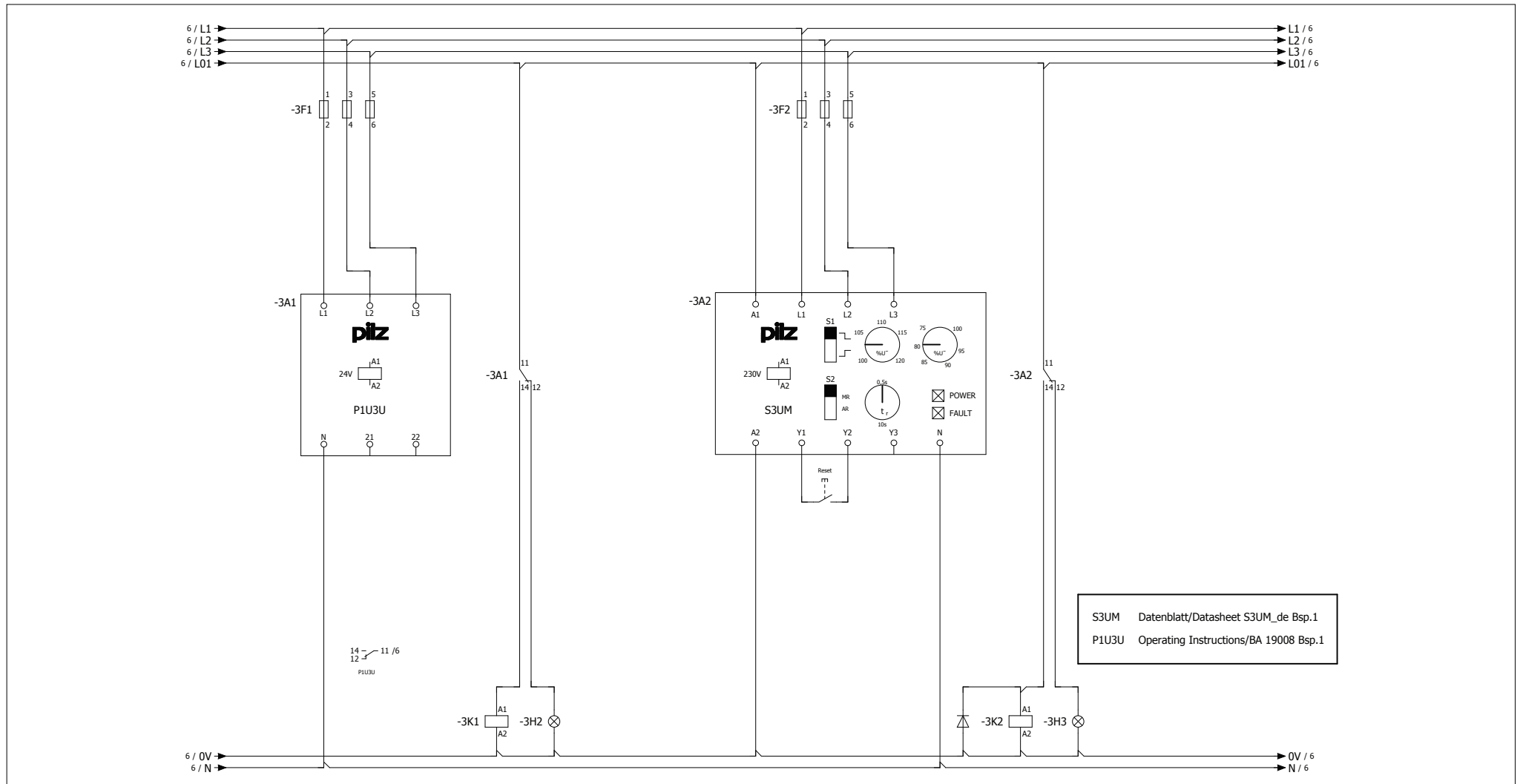


2.1

P1U-1NB – S1UM

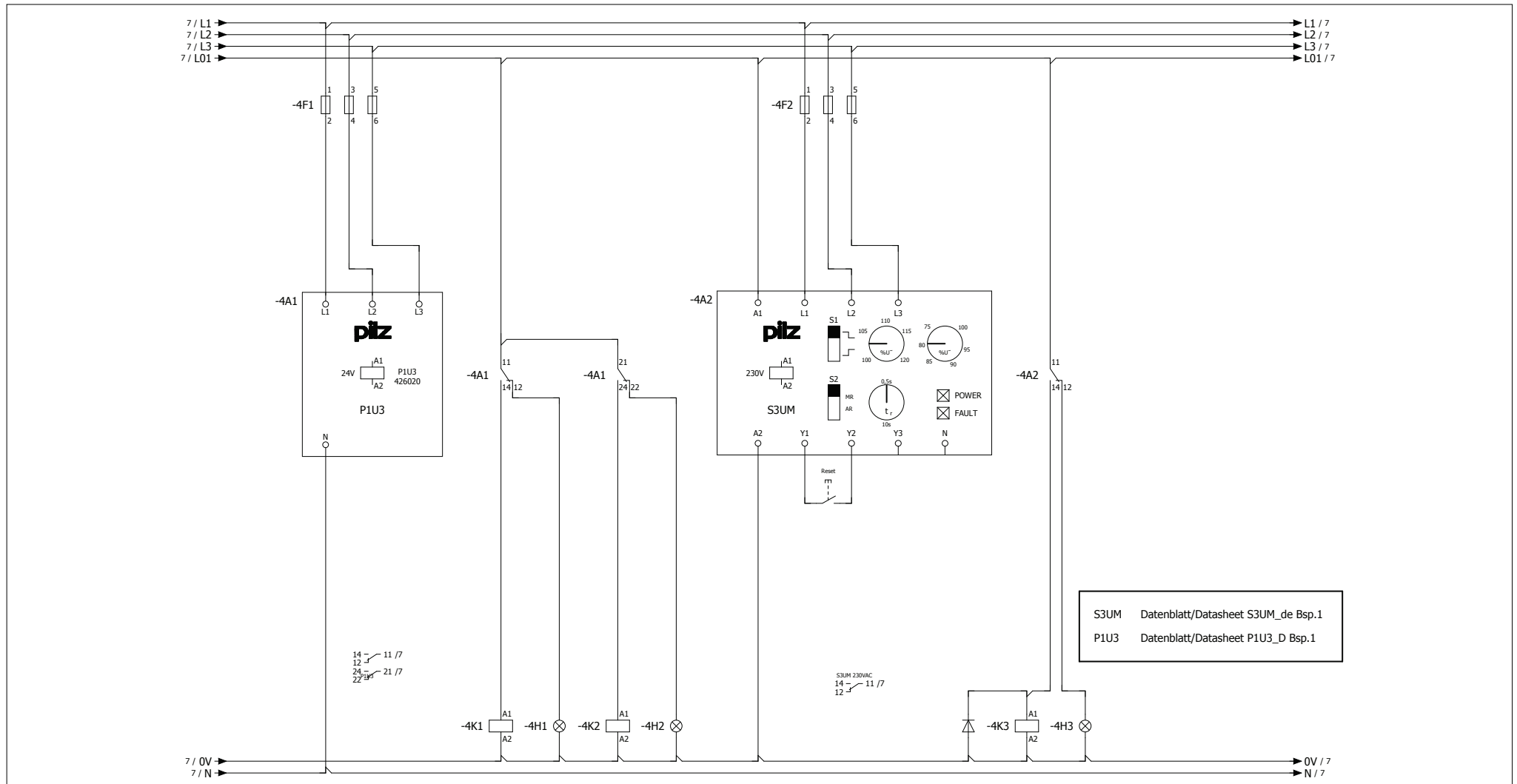


P1U3U – S3UM



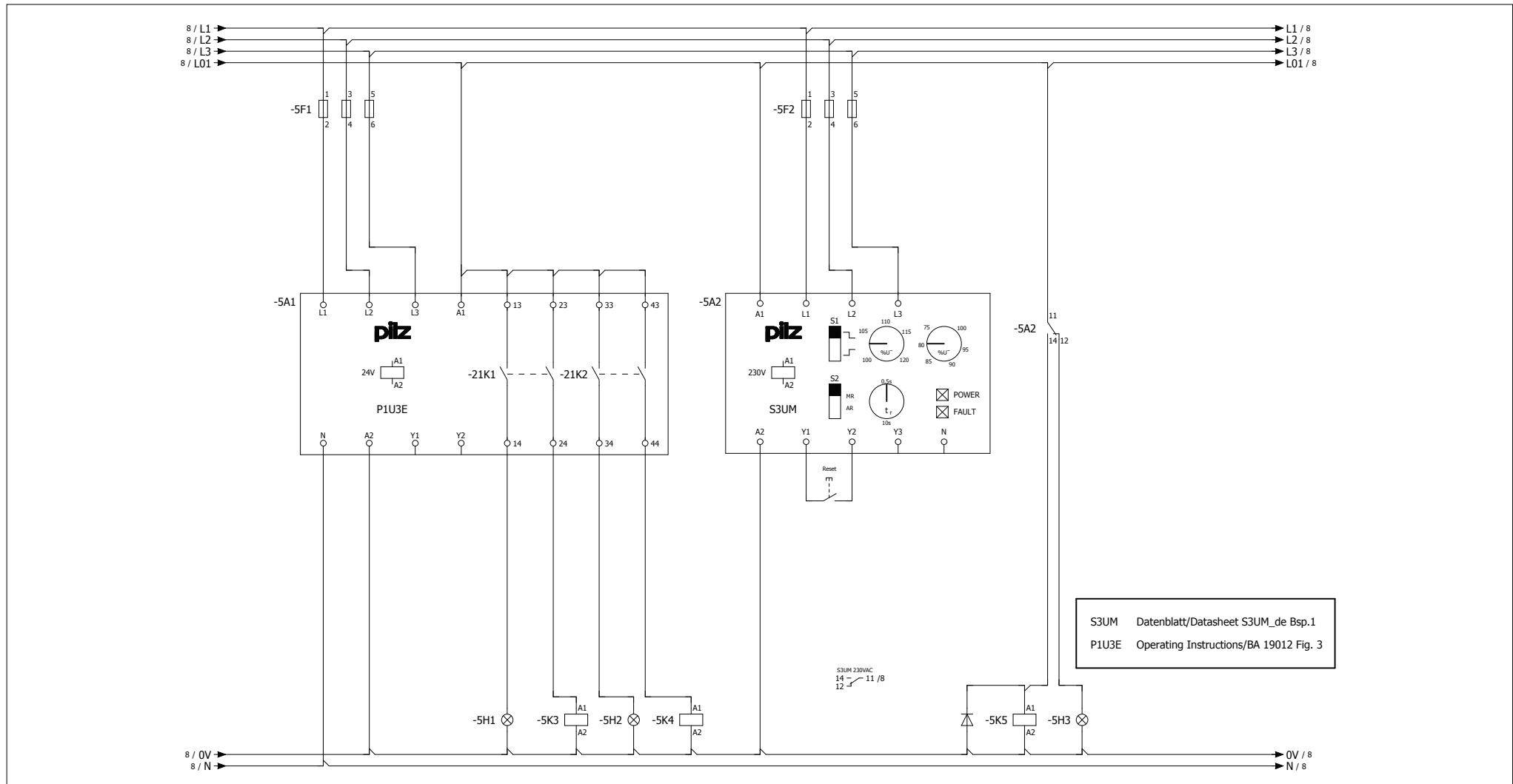
2.1

P1U3 – S3UM



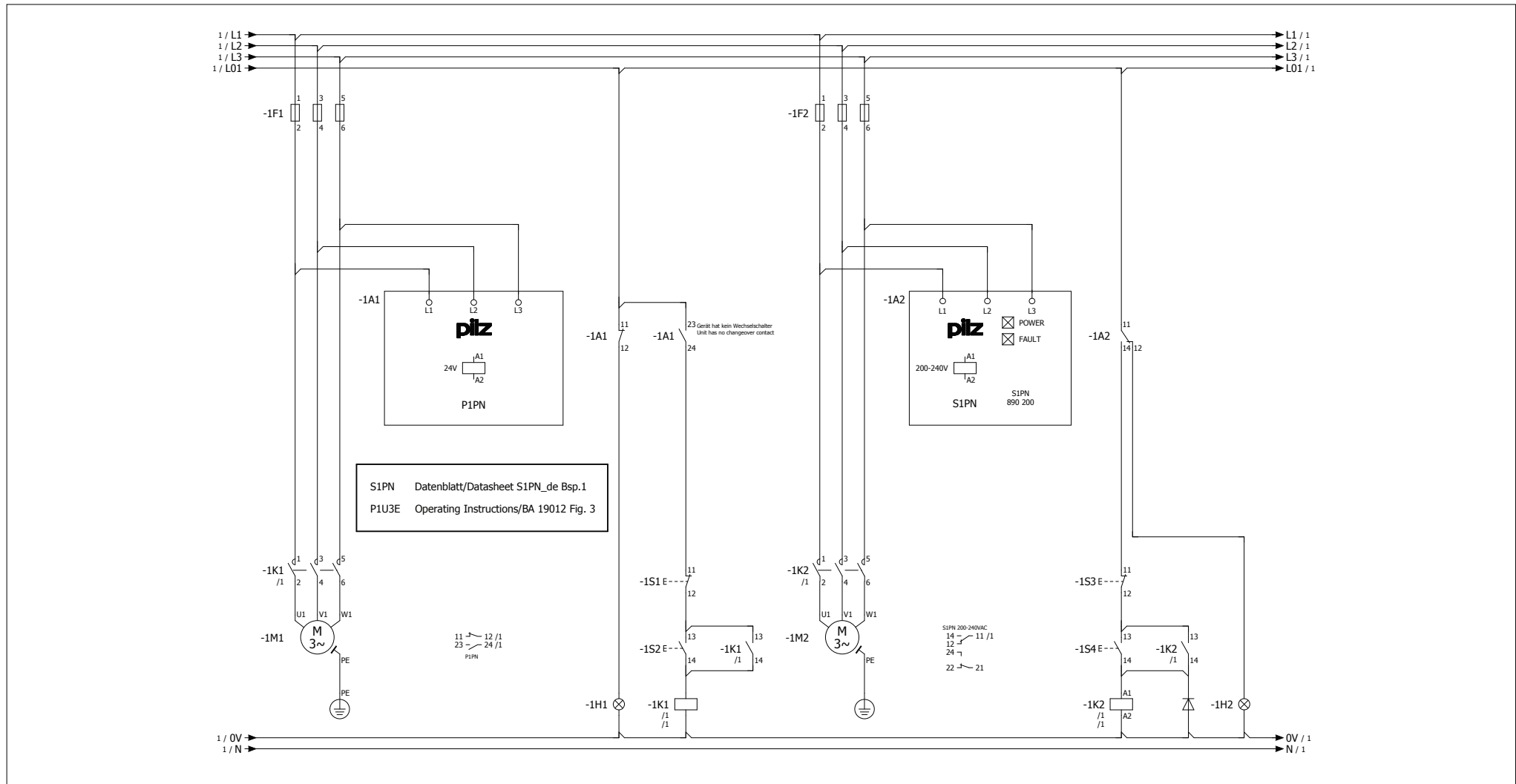
2.1

P1U3E – S3UM



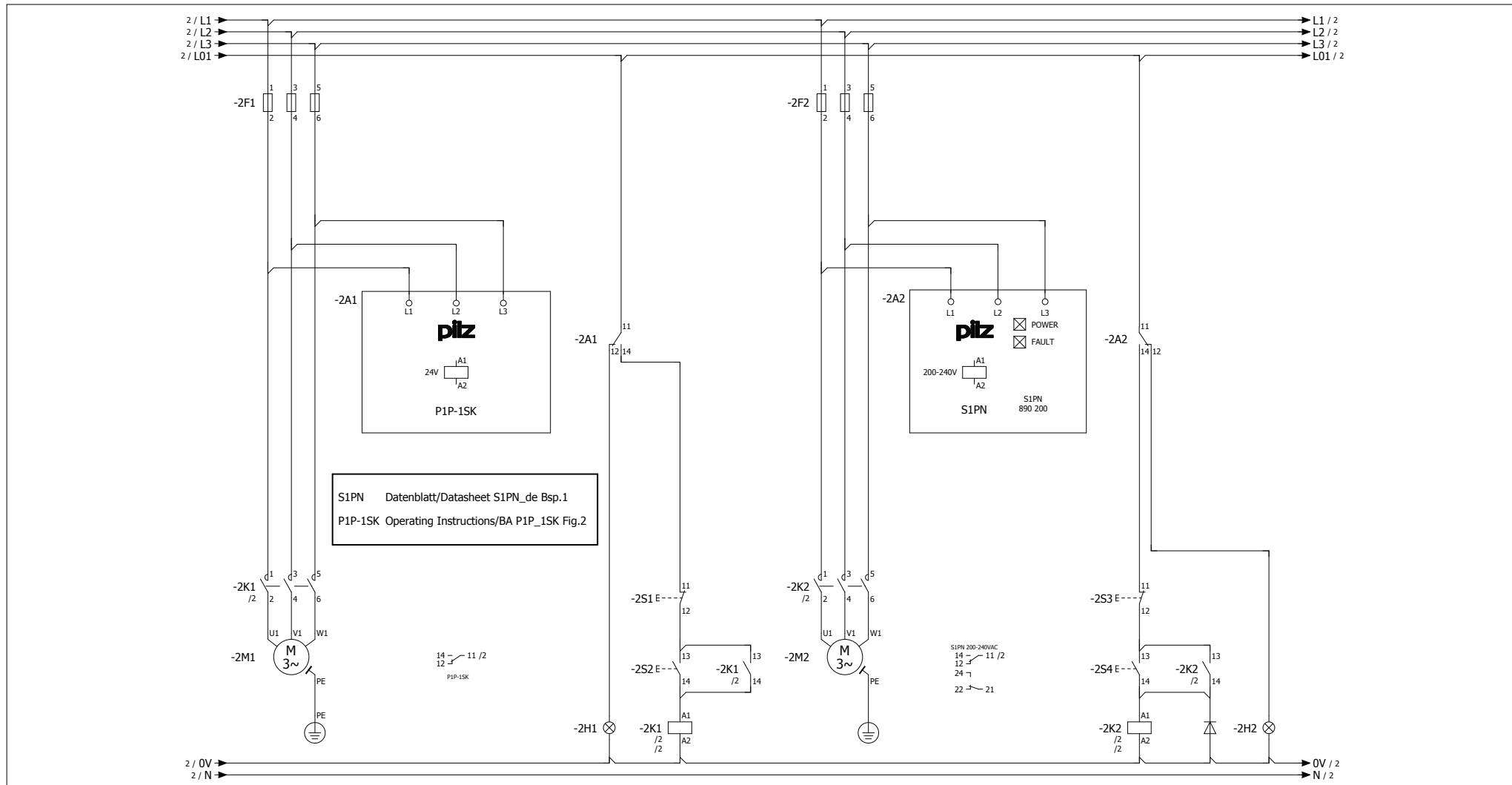
2.1

P1PN – S1PN



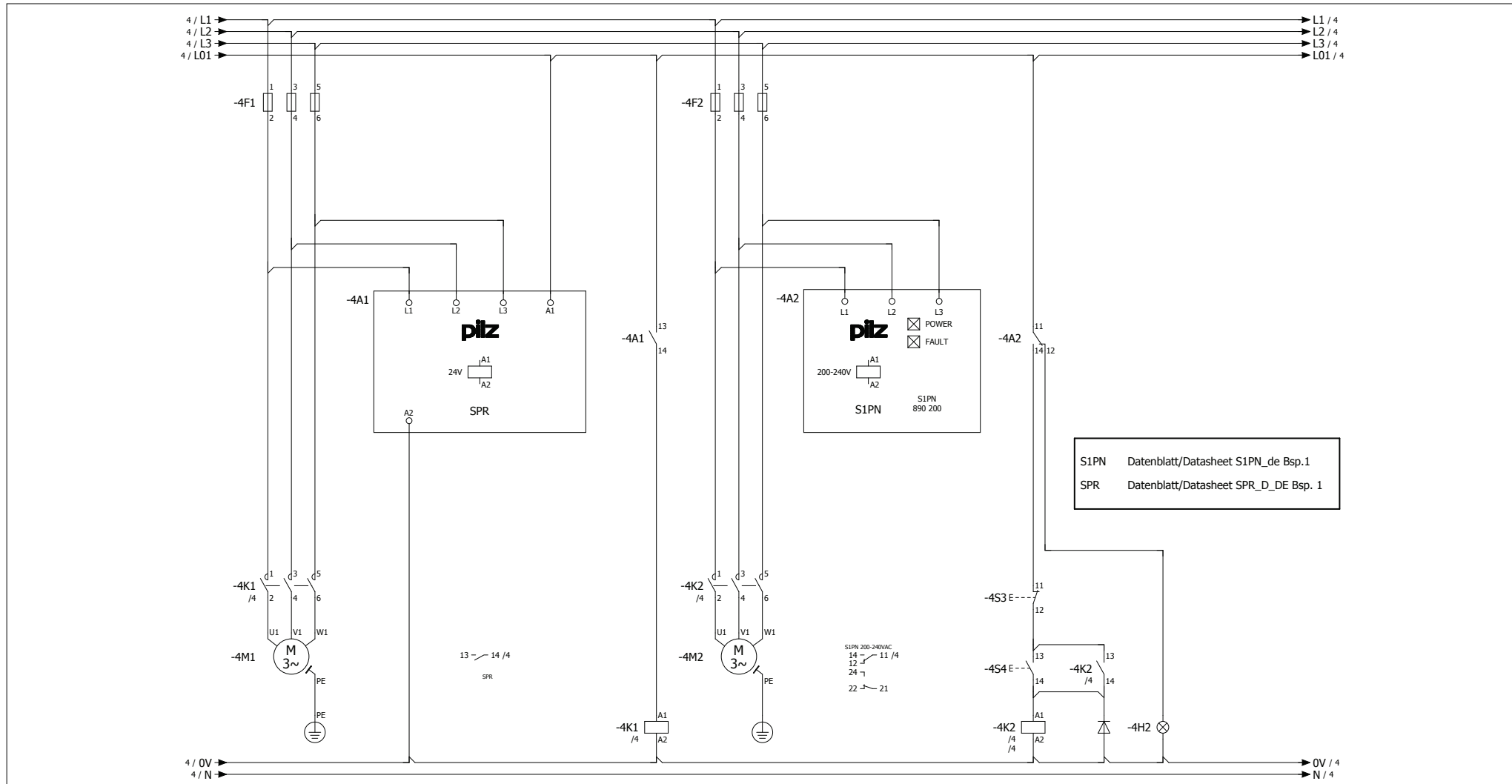
2.1

P1P-1SK – S1PN



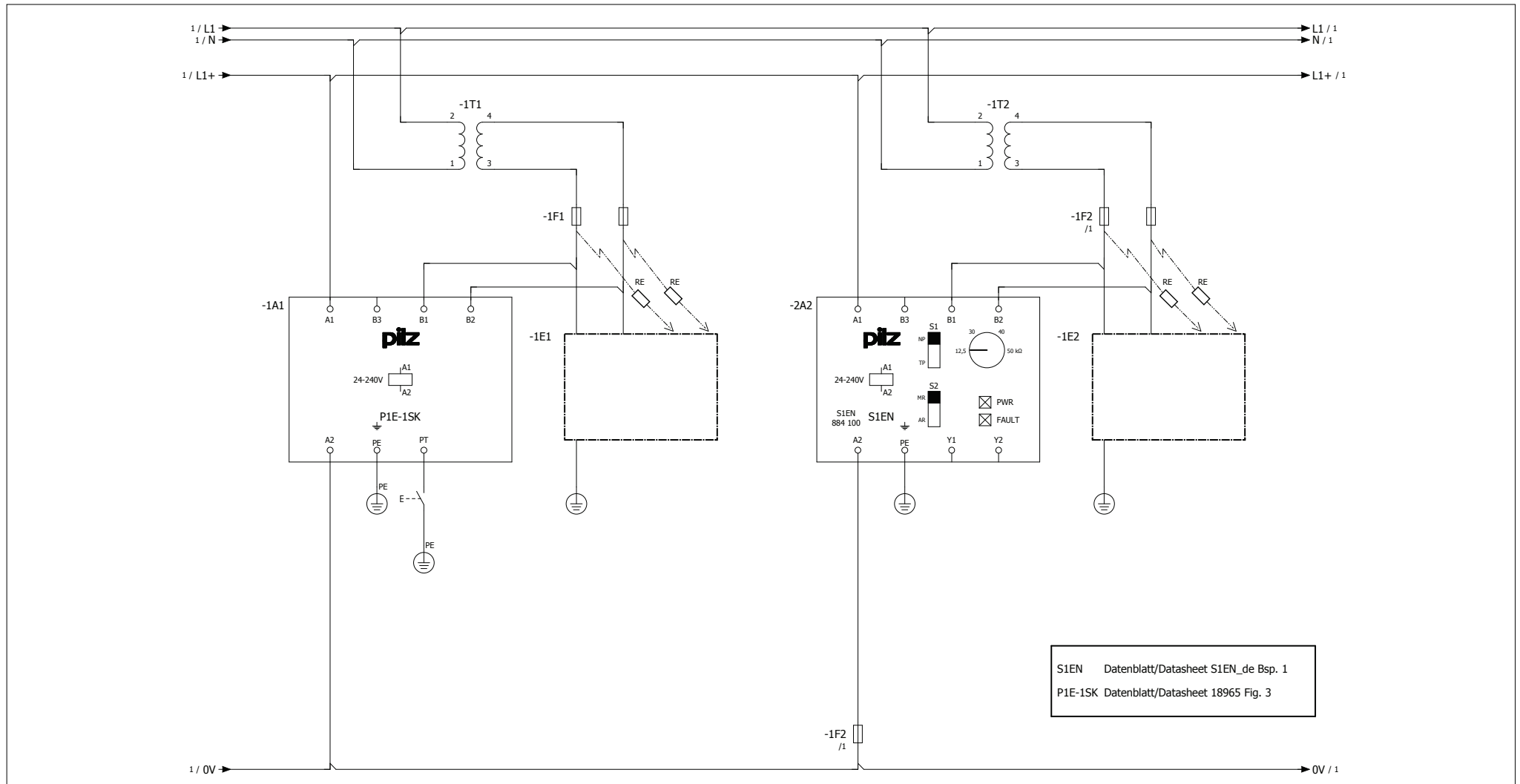
2.1

SPR – S1PN



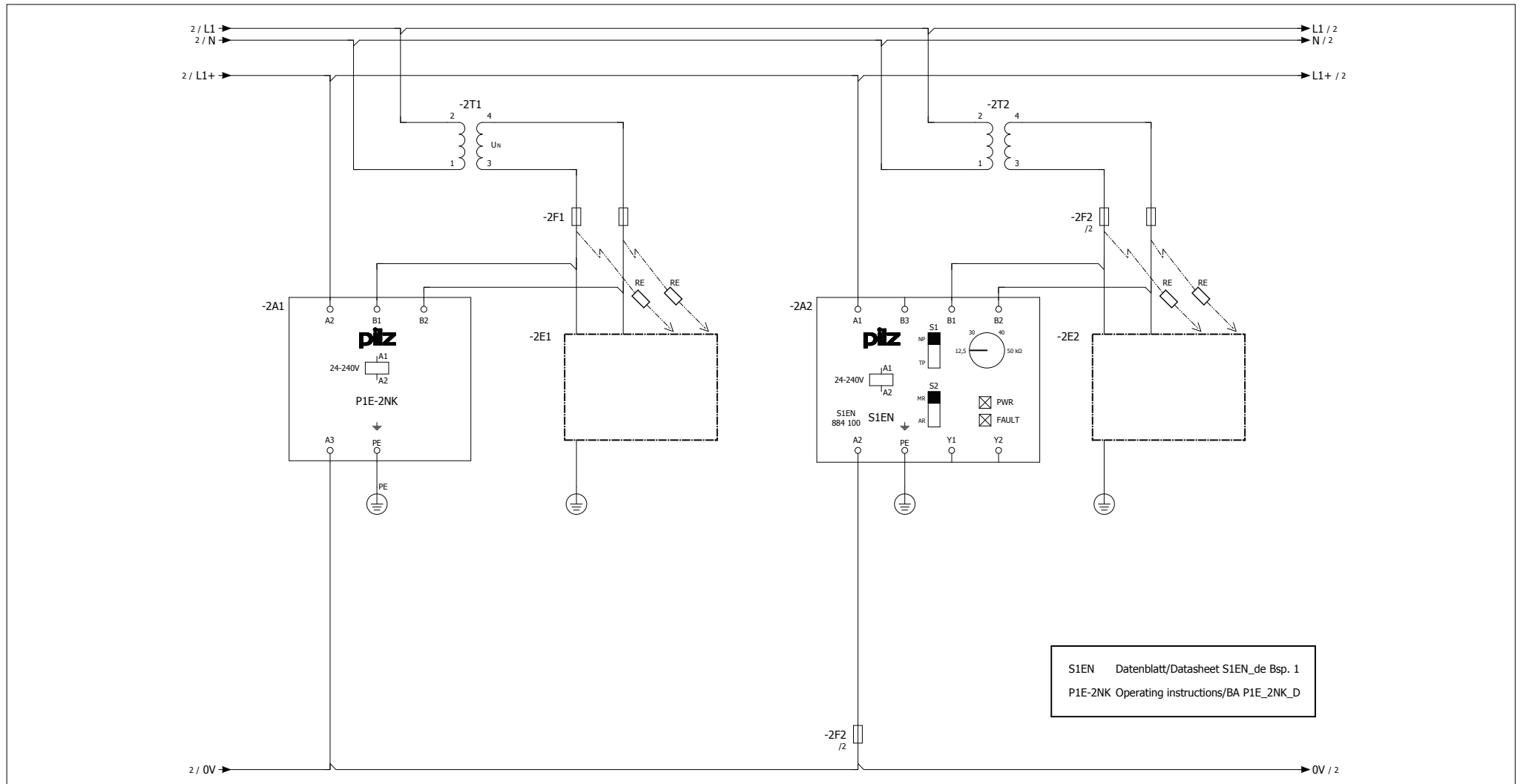
2.1

P1E-1SK – S1EN



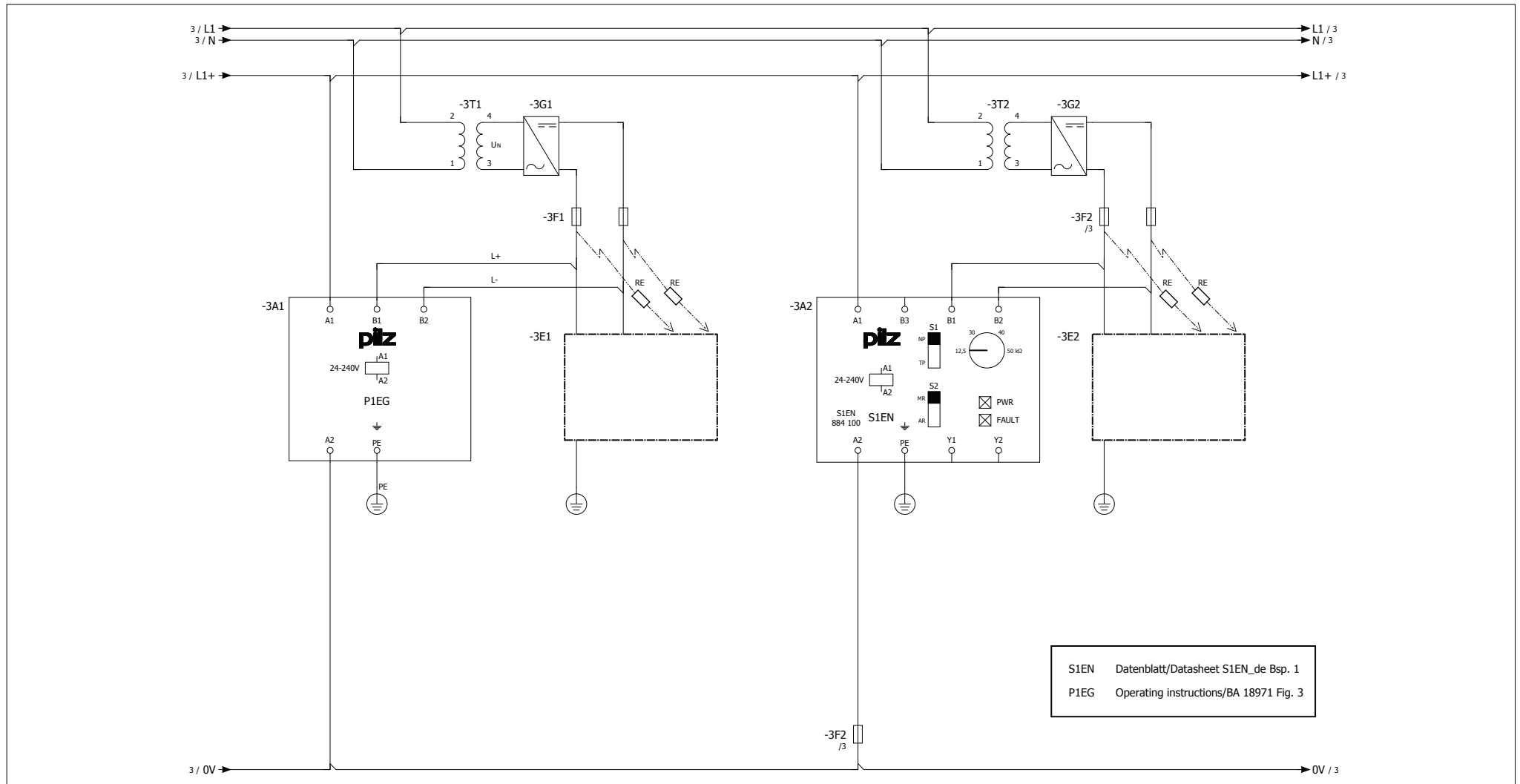
S1EN Datenblatt/Datasheet S1EN_de Bsp. 1
 P1E-1SK Datenblatt/Datasheet 18965 Fig. 3

P1E-2NK – S1EN

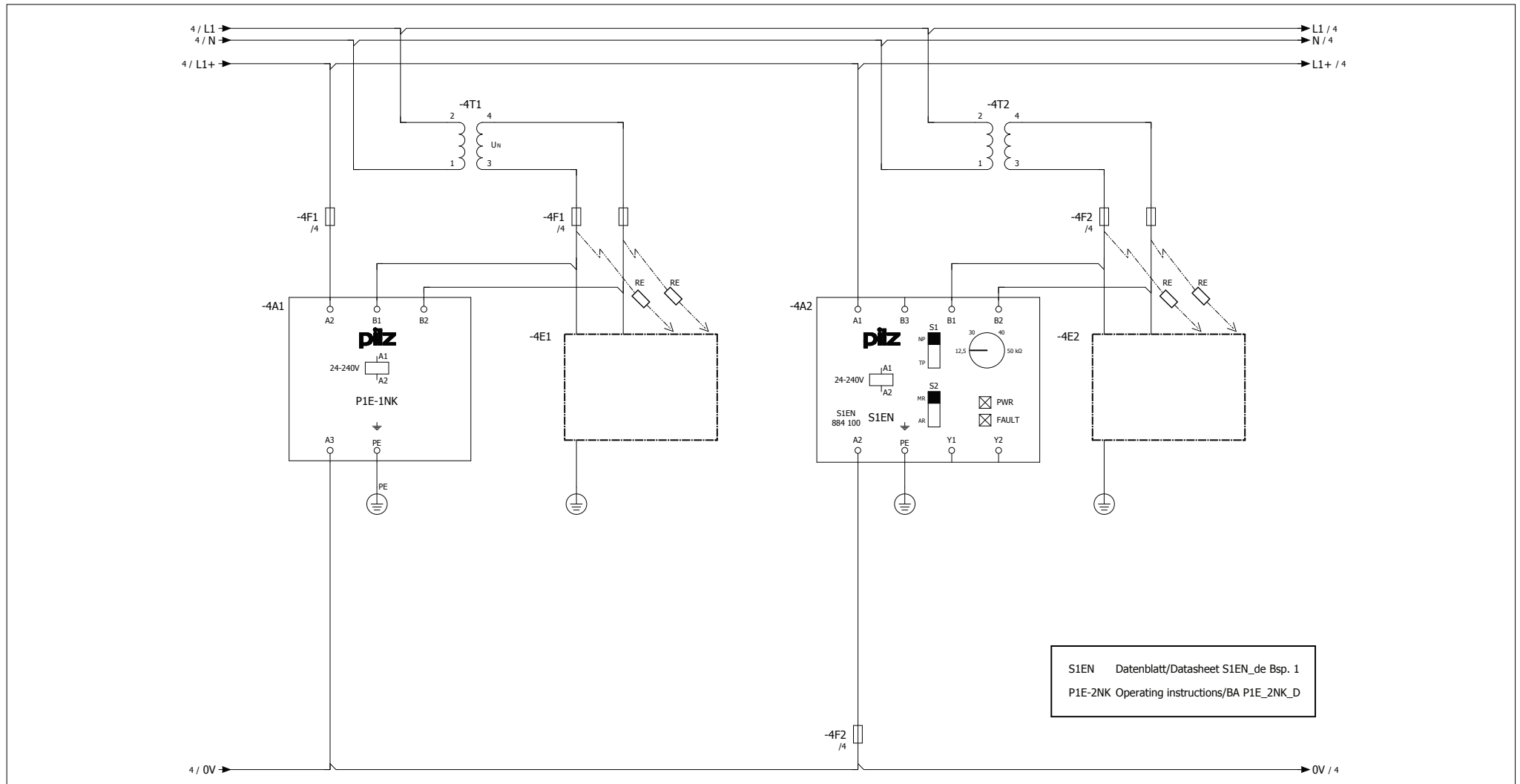


2.1

P1EG – S1EN

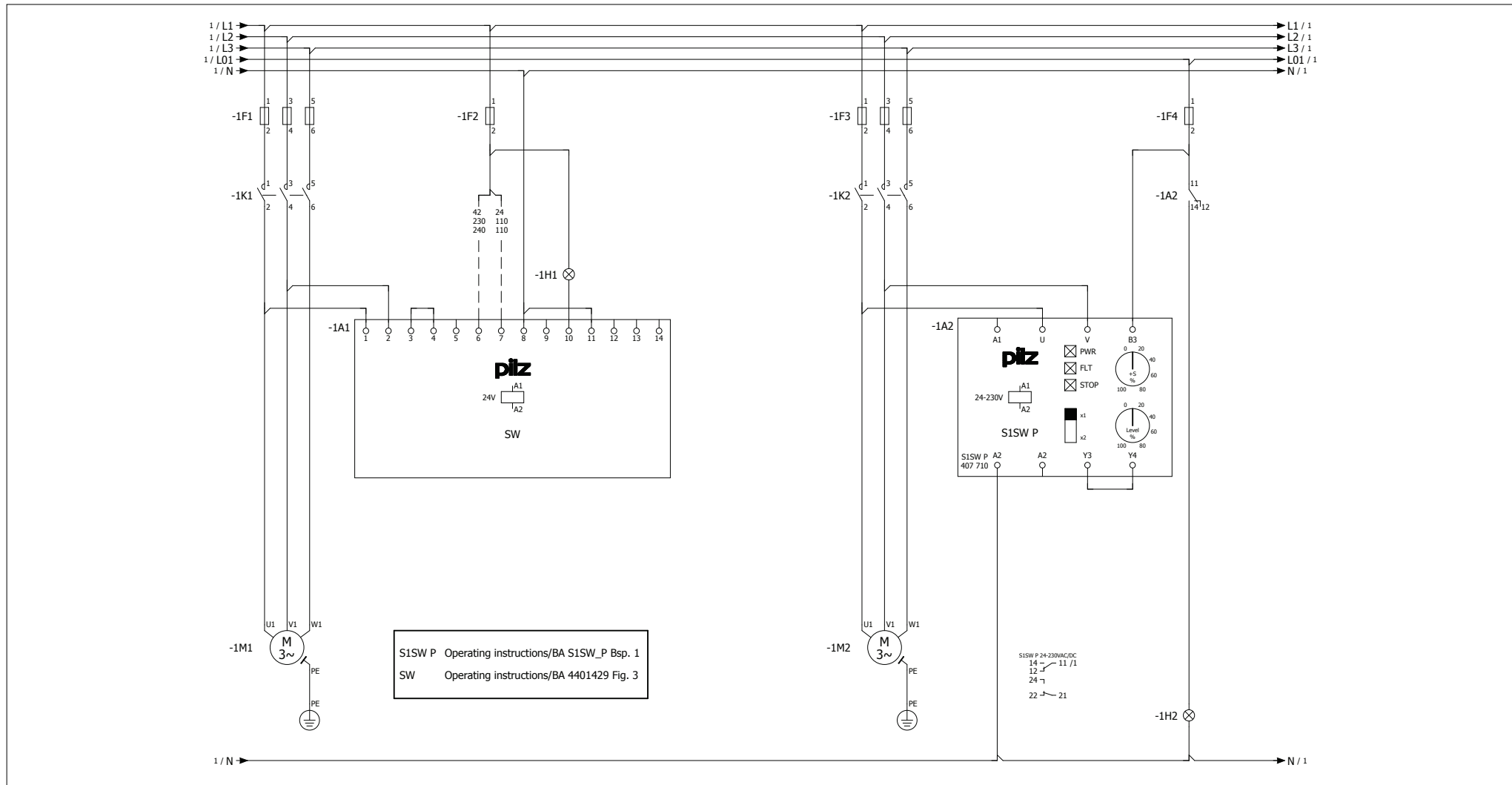


P1E-1NK – S1EN



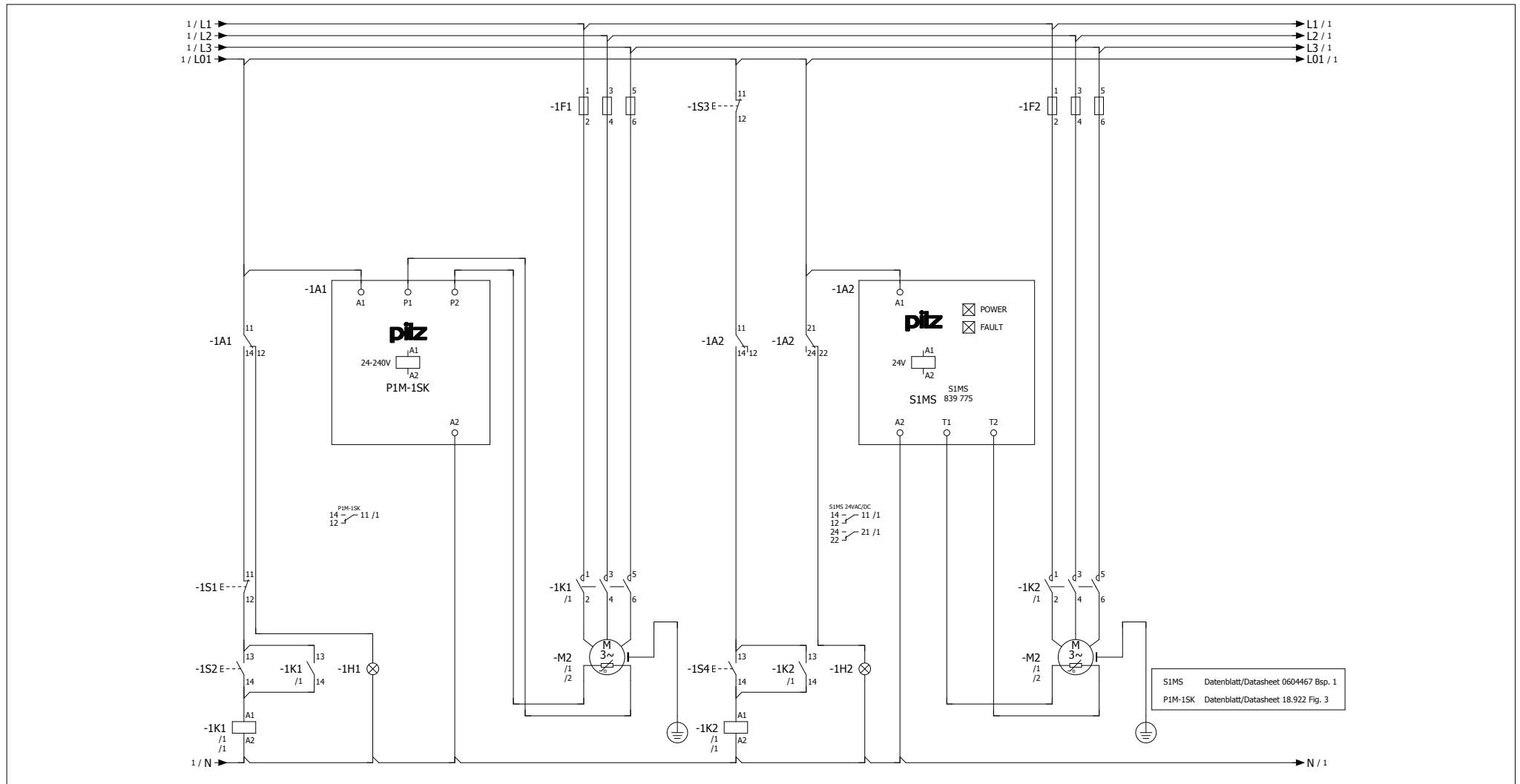
2.1

SW – S1SW P



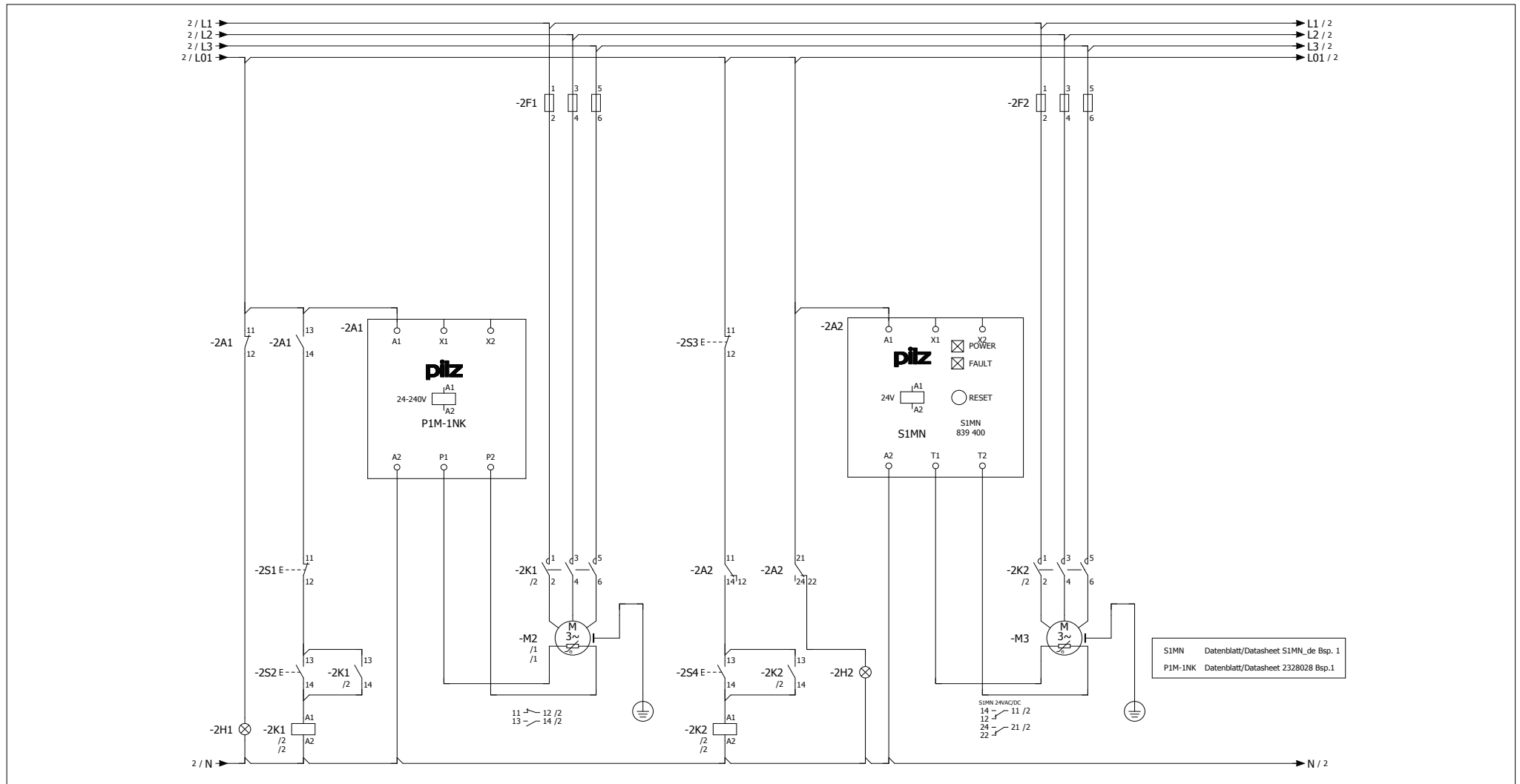
2.1

P1M-1SK – S1MS

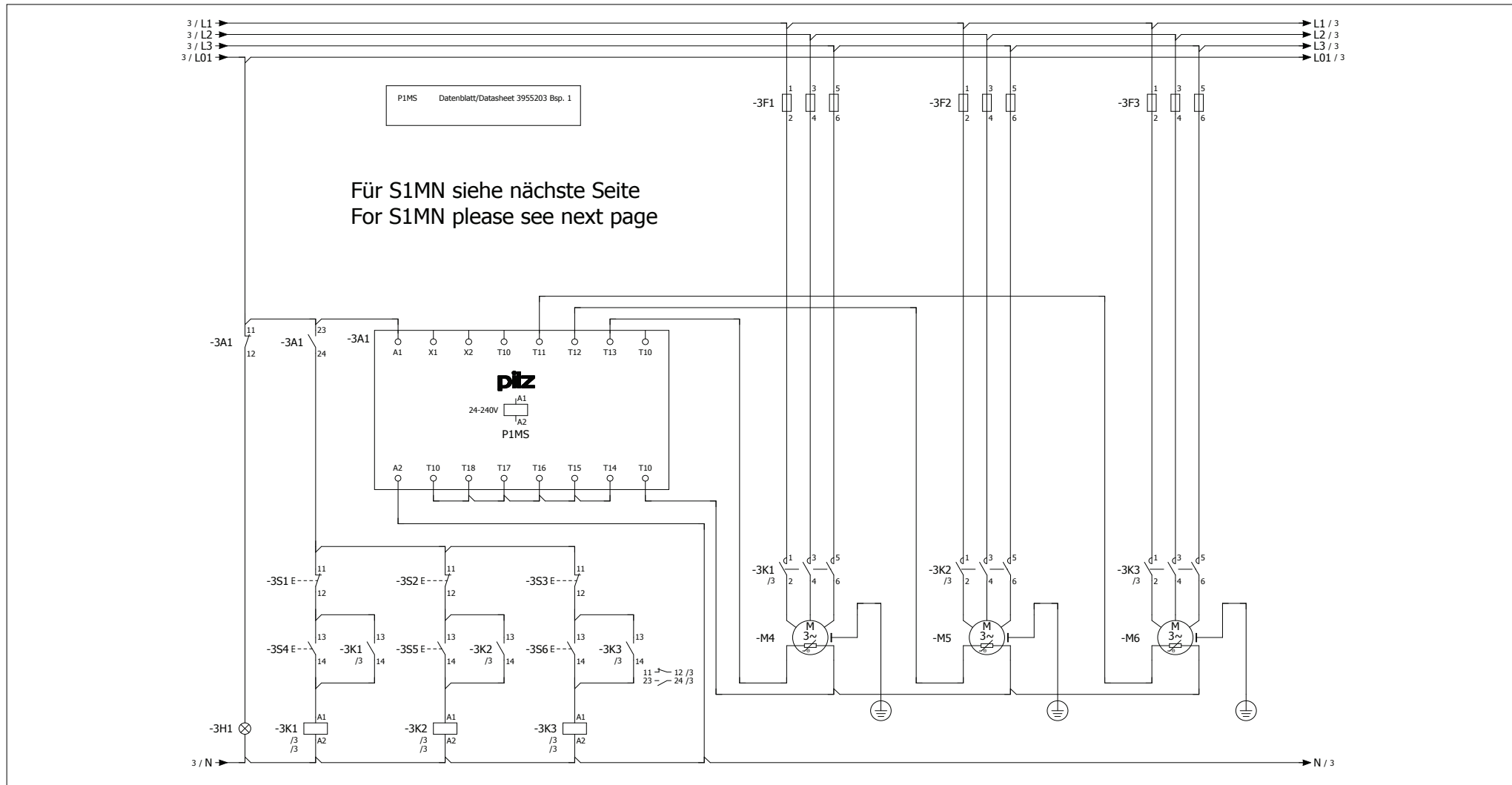


2.1

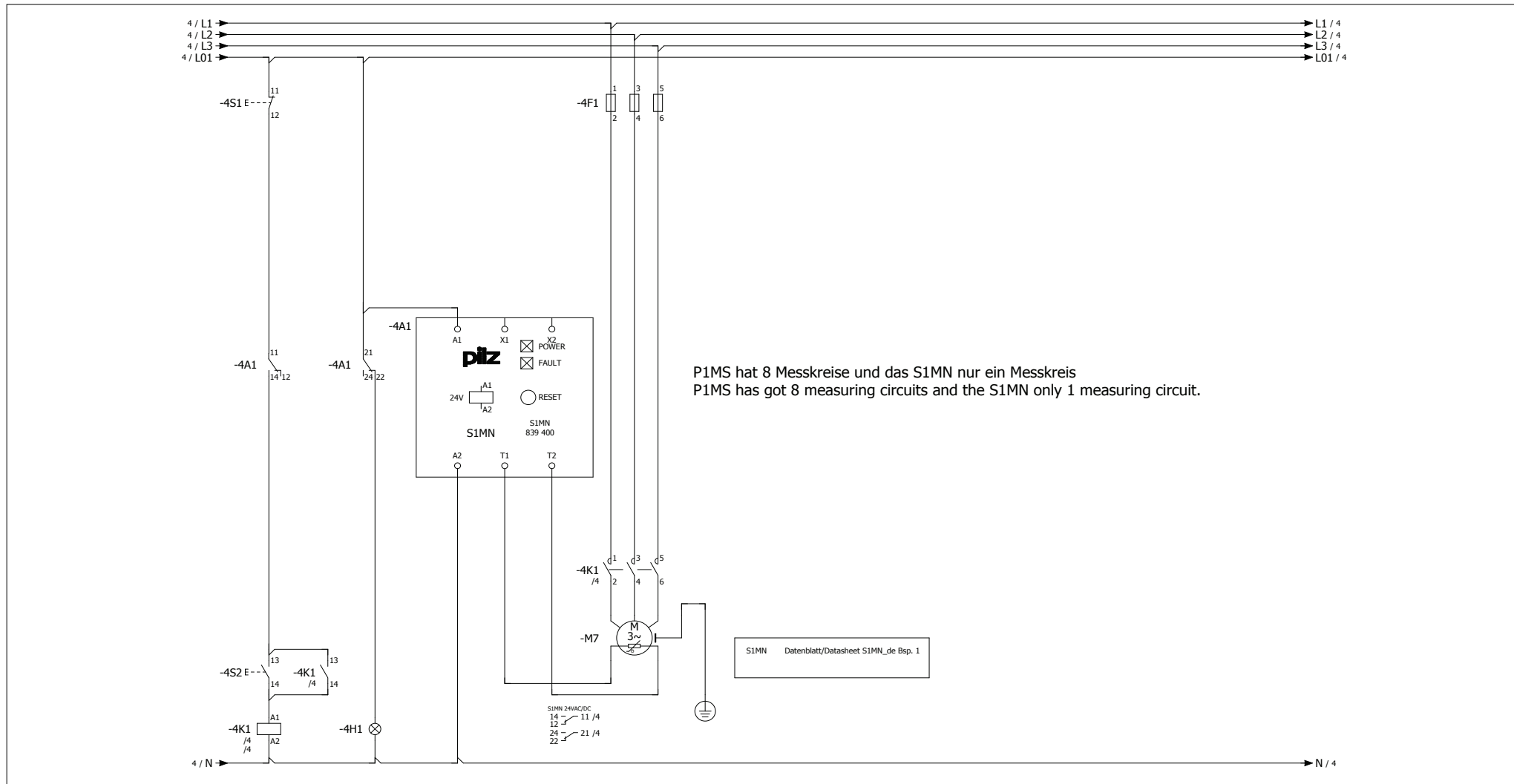
P1M-1NK – S1MN



P1MS – S1MN

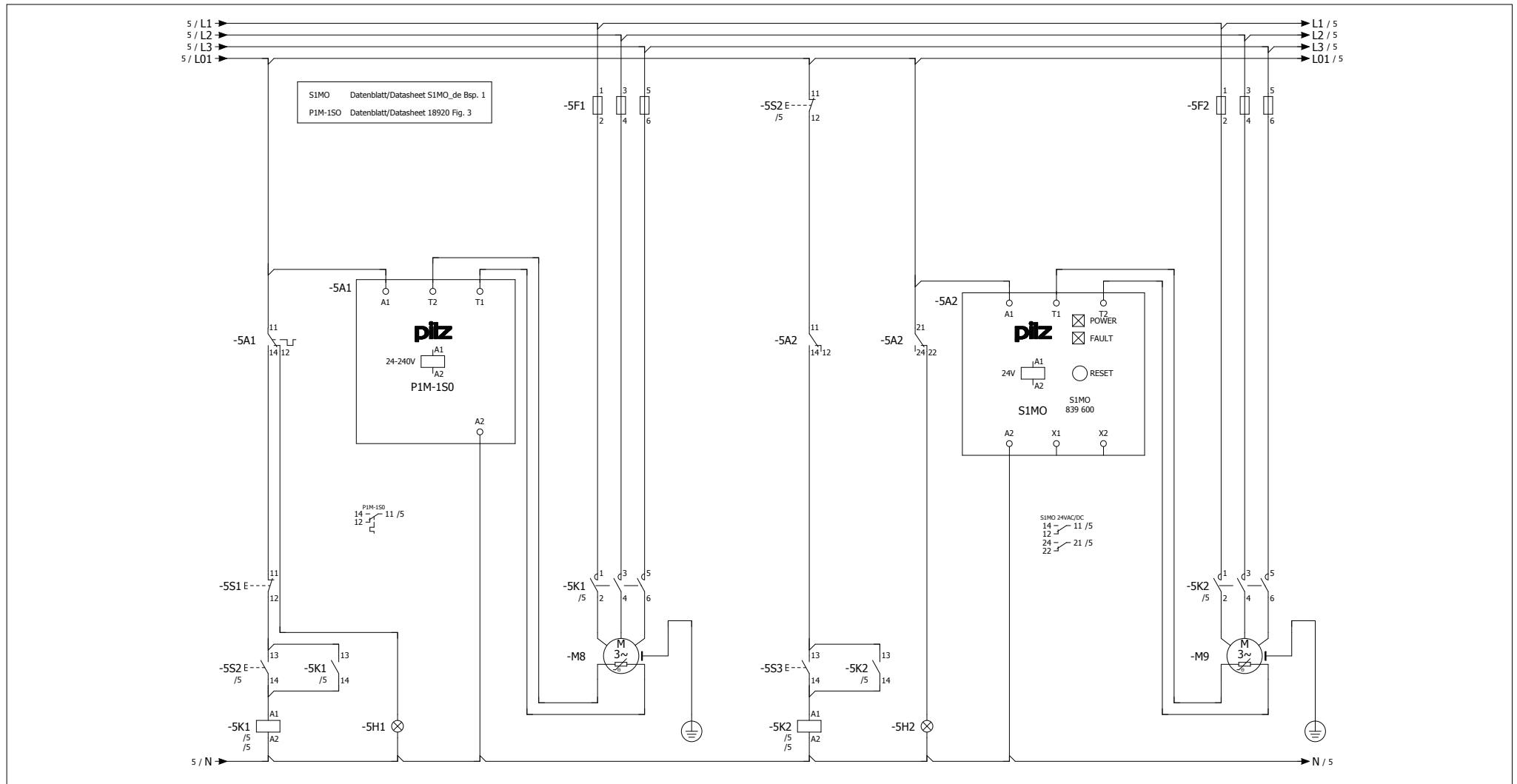


P1MS – S1MN

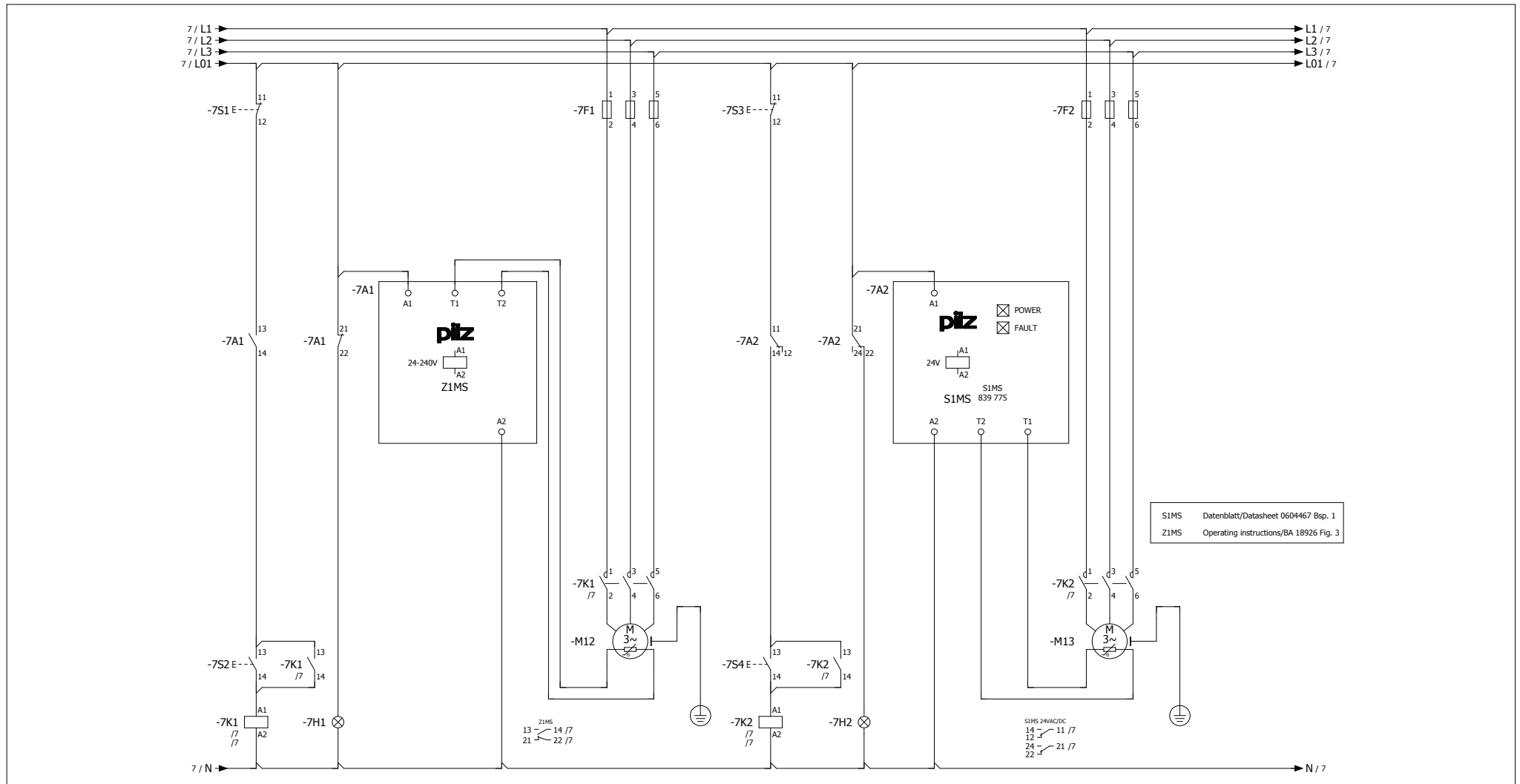


P1MS hat 8 Messkreise und das S1MN nur ein Messkreis
P1MS has got 8 measuring circuits and the S1MN only 1 measuring circuit.

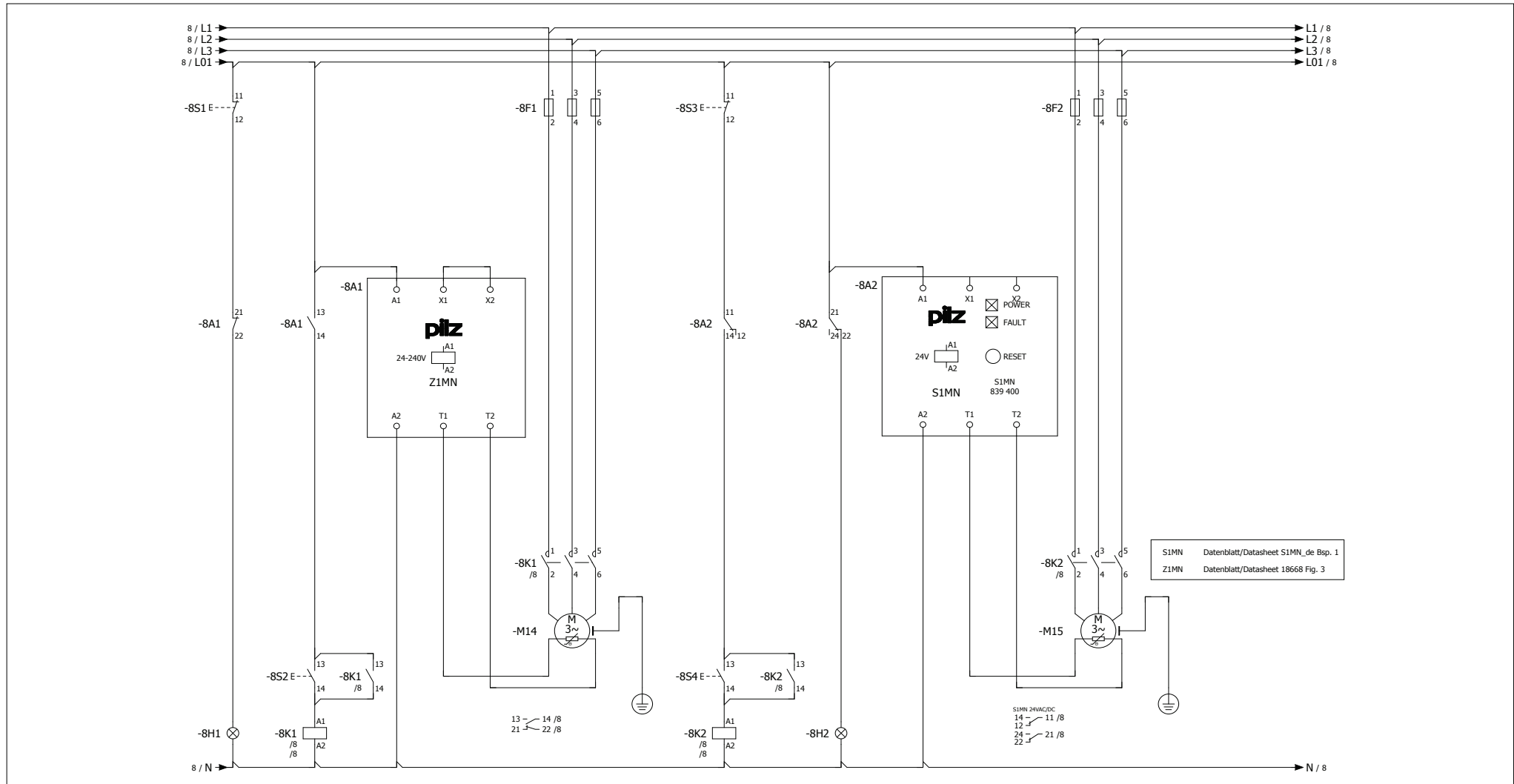
P1M-1SO – S1MO



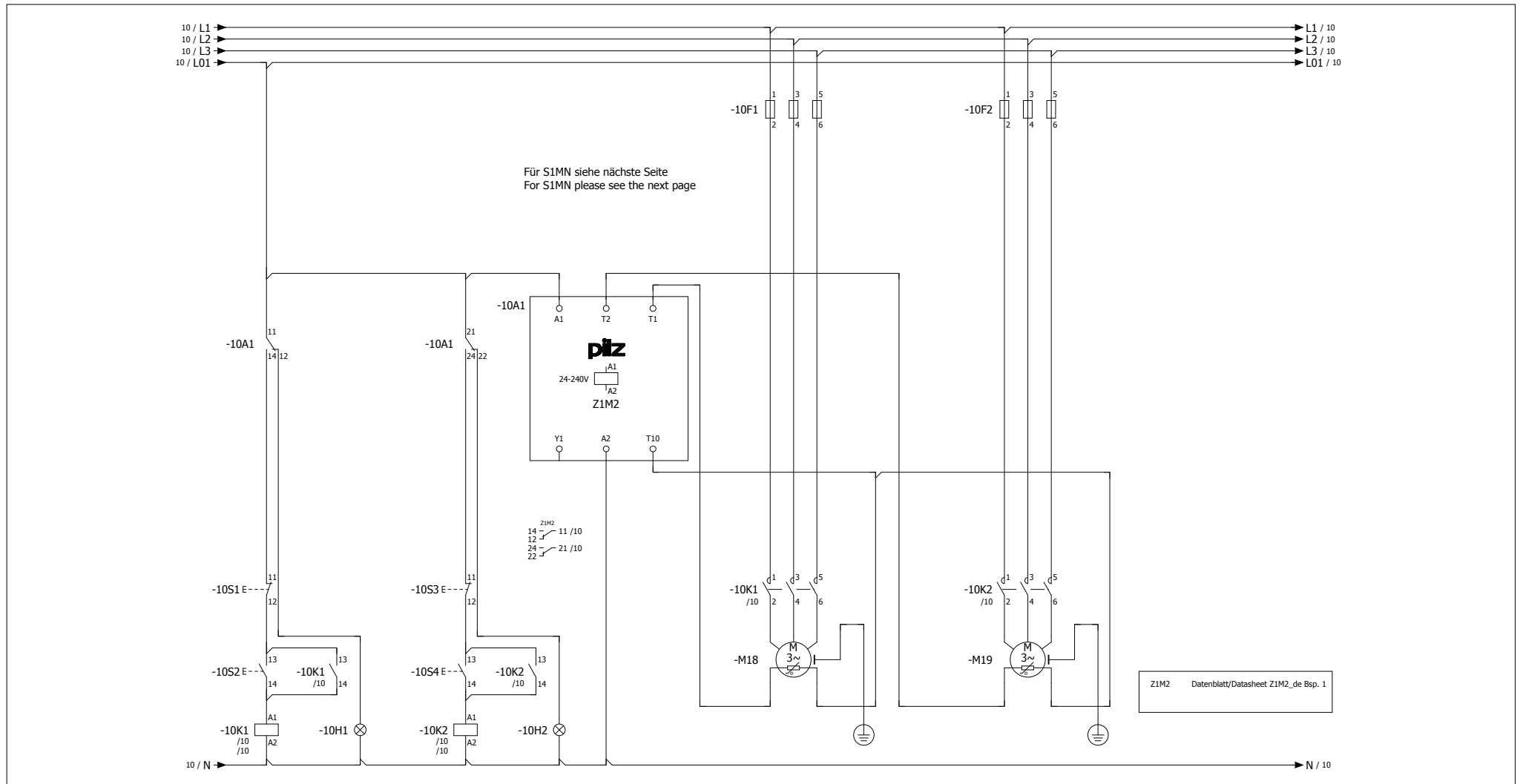
Z1MS – S1MS



Z1MN – S1MN

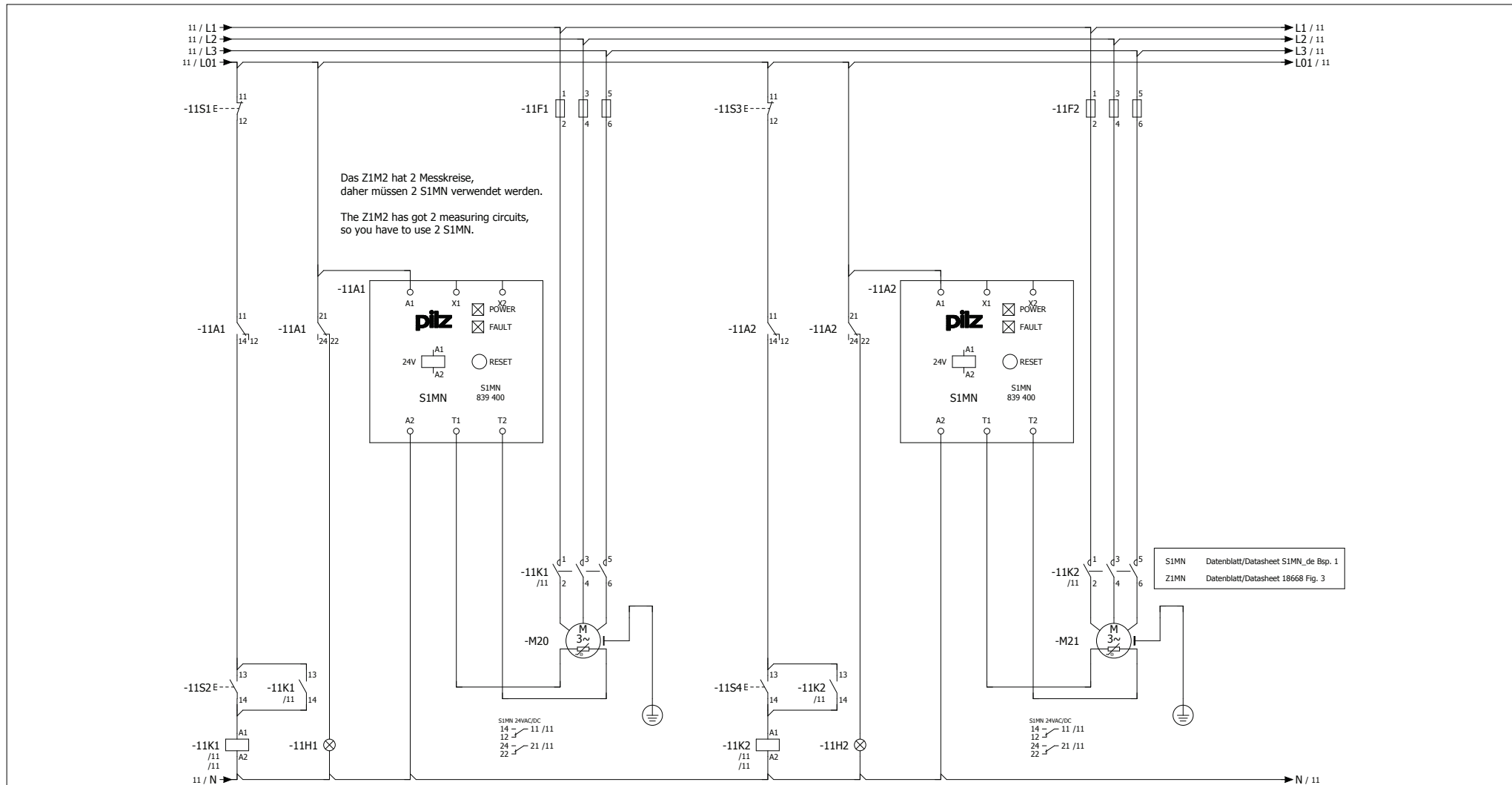


Z1M2 – S1MN

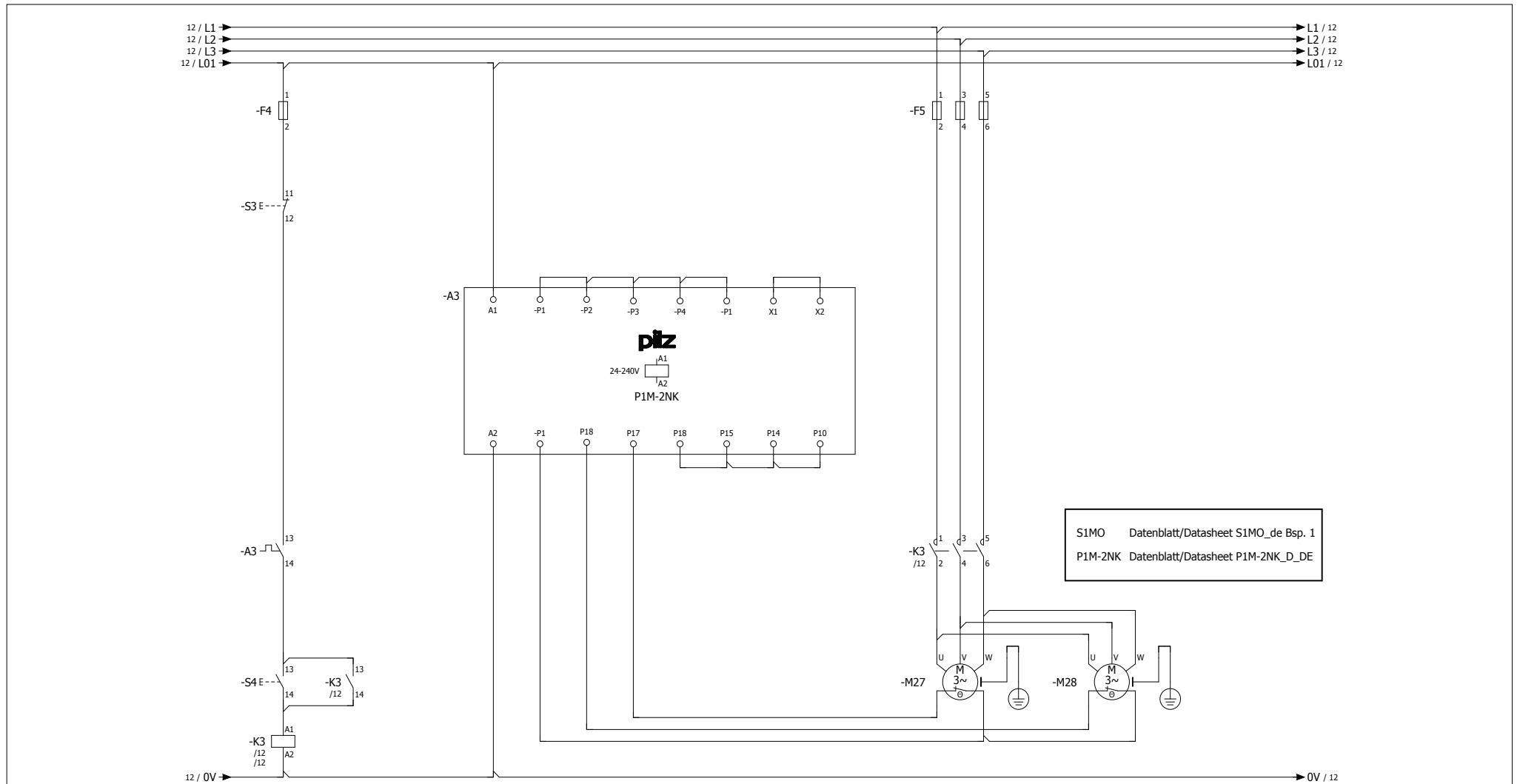


2.1

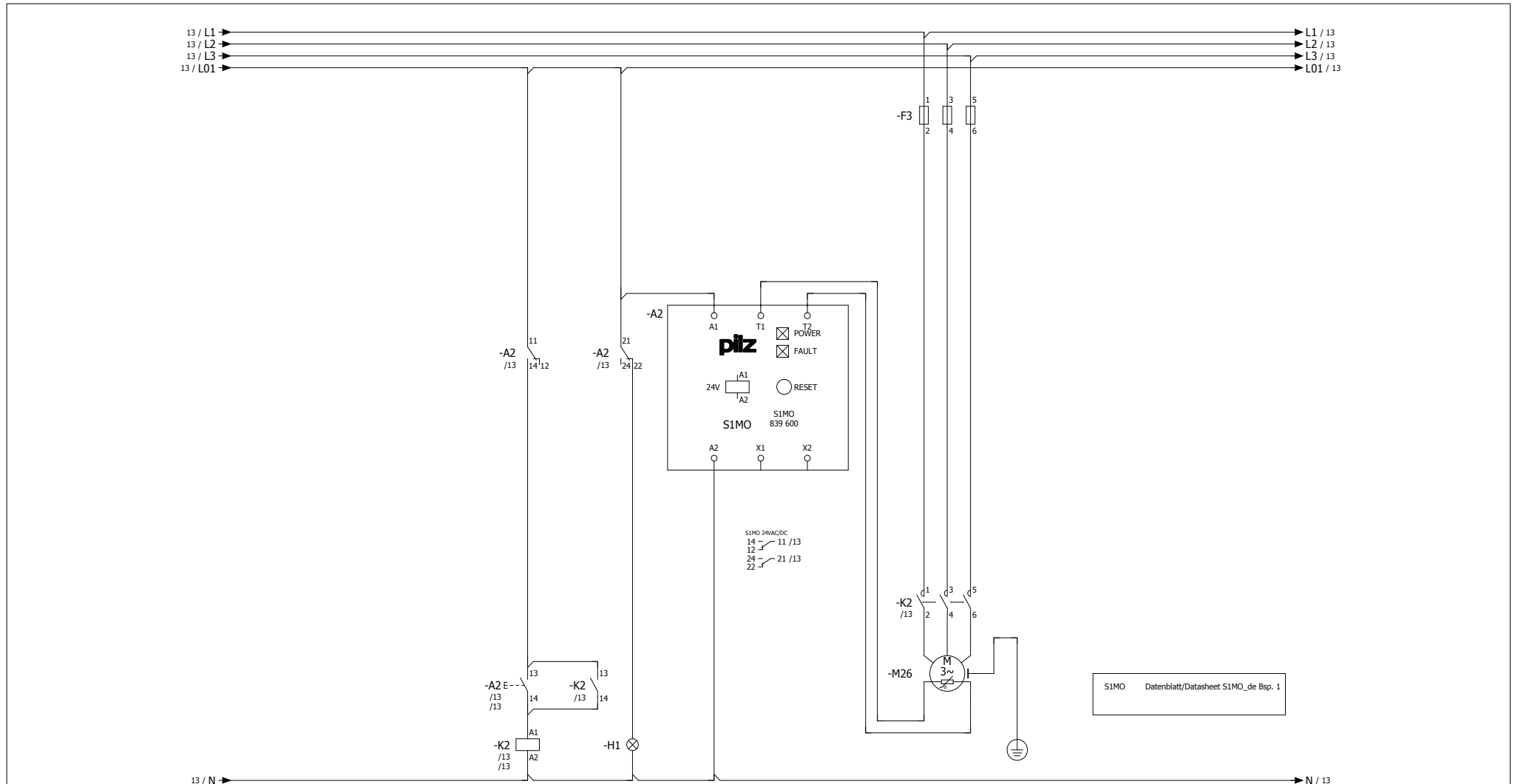
Z1M2 – S1MN



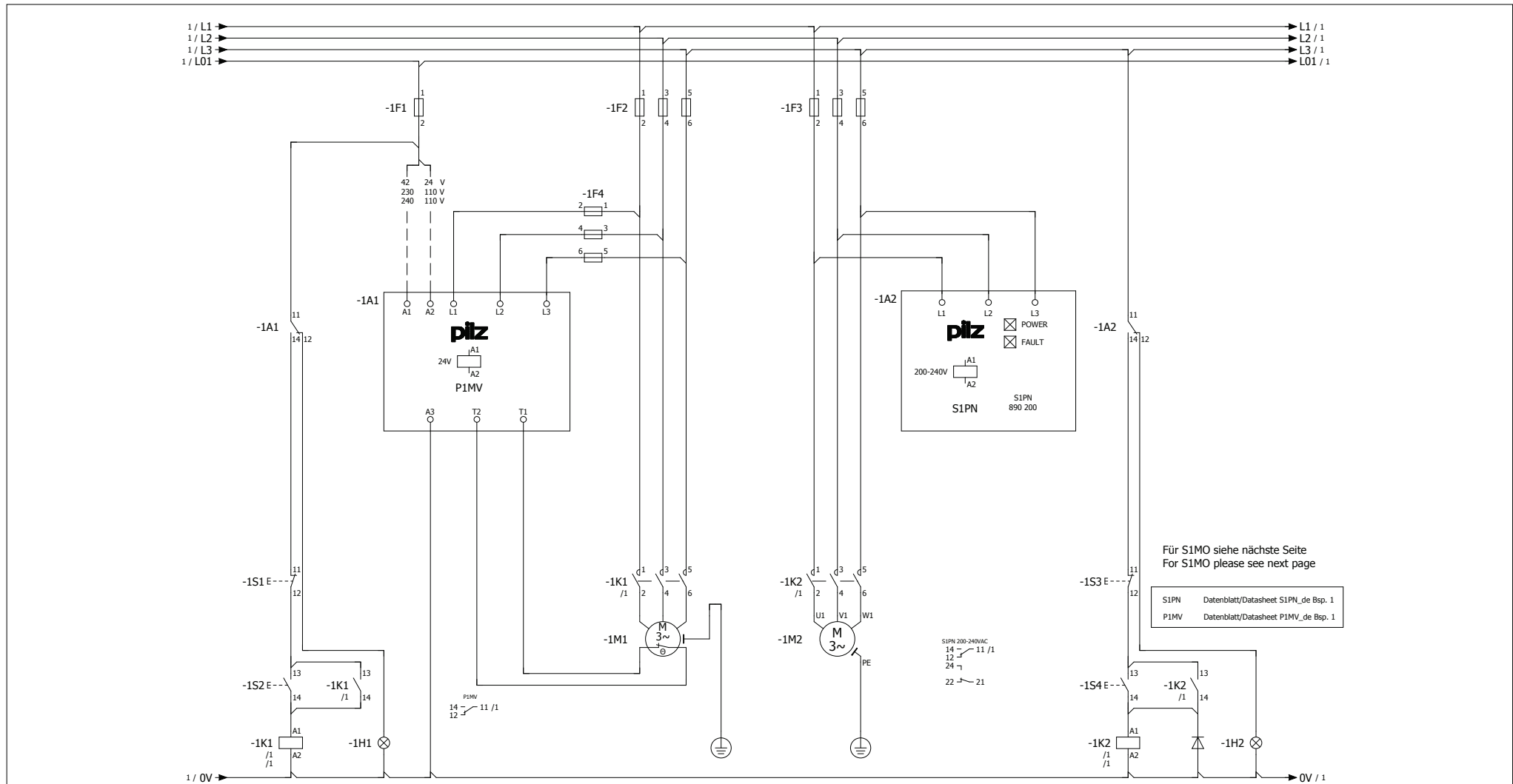
P1M-2NK – S1MO



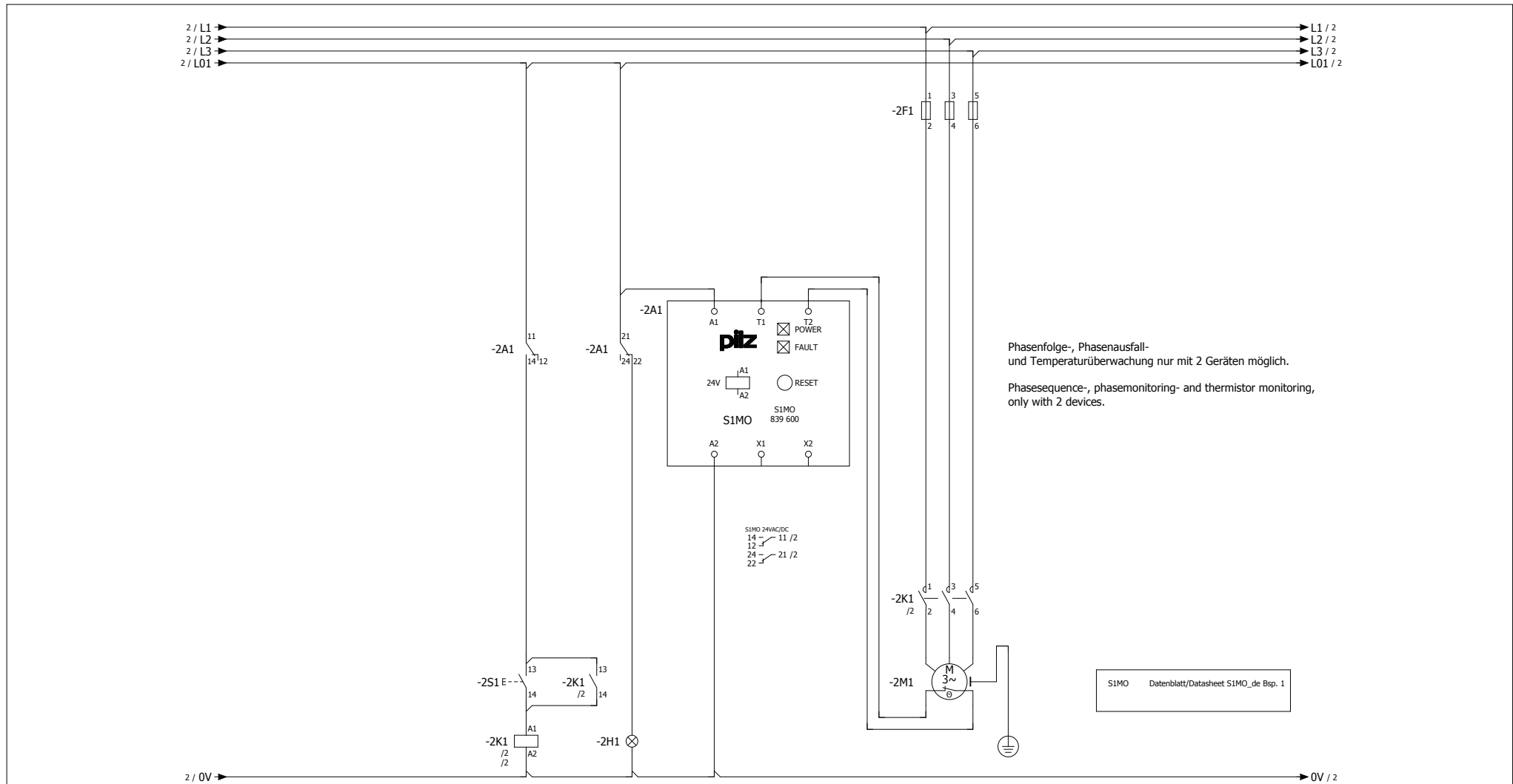
P1M-2NK – S1MO



P1MV – S1PN and S1MO

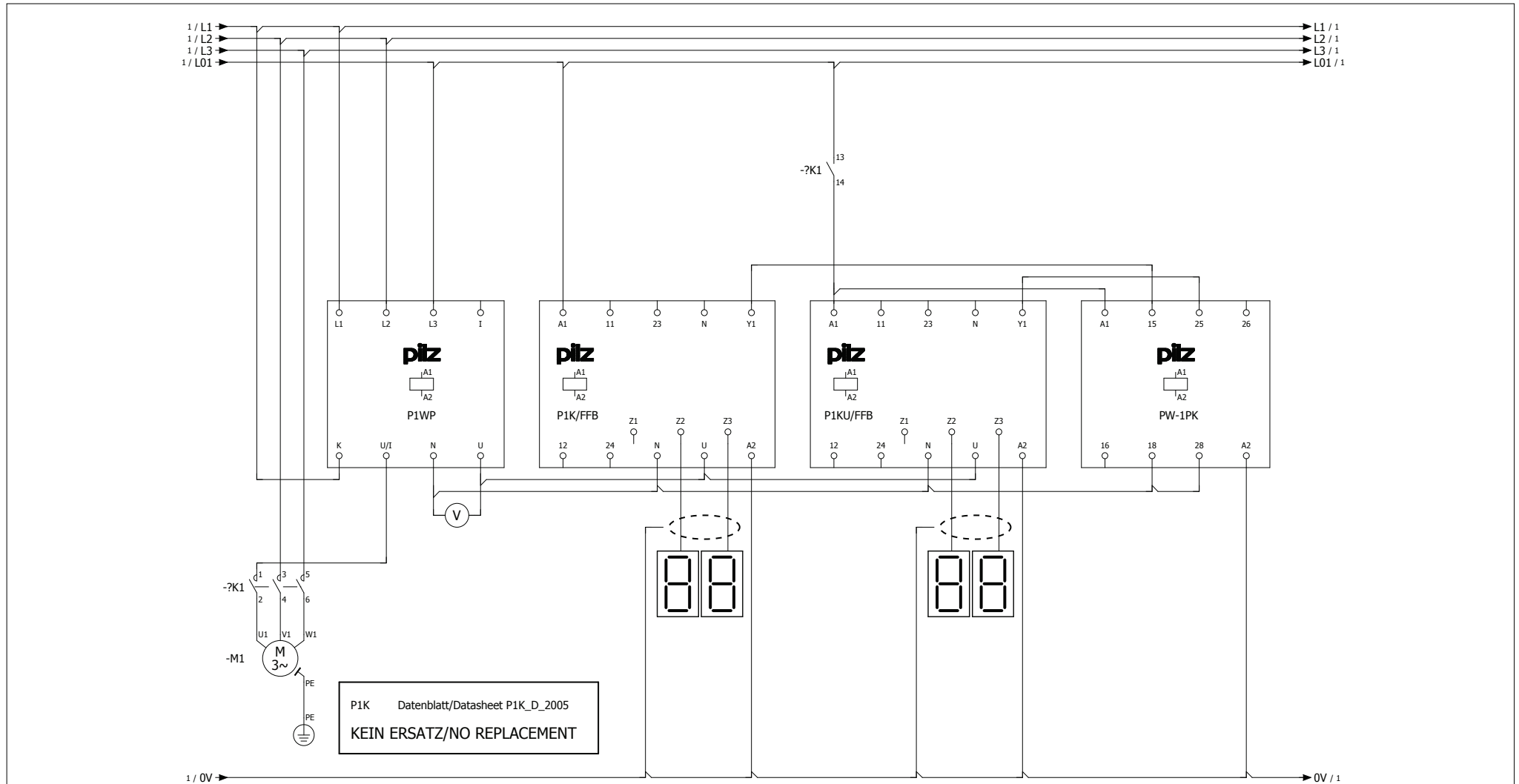


P1MV – S1PN and S1MO

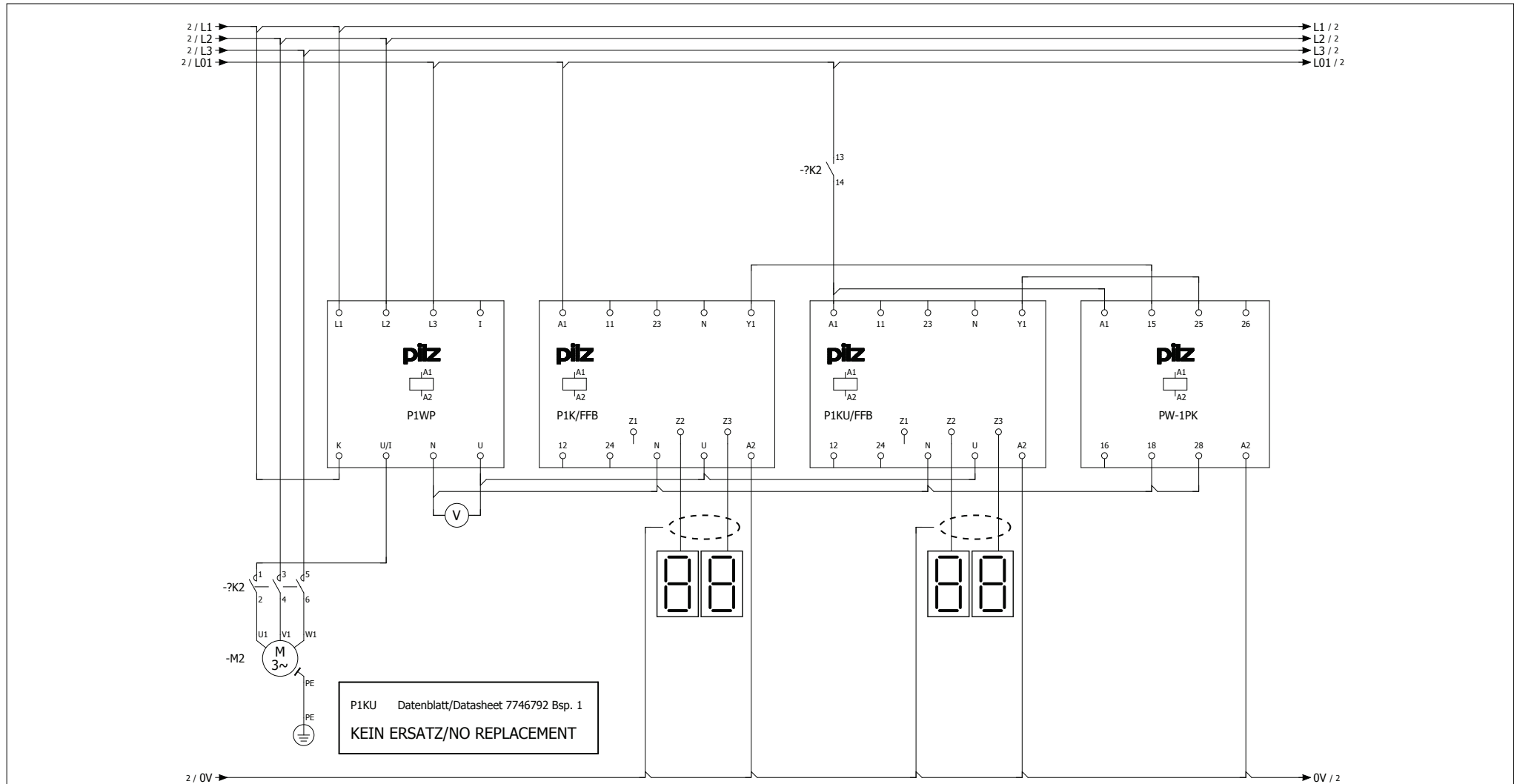


2.1

P1K



P1KU



2.1

Contents	Page	
Service		
Adresses		
	Technical offices in Germany	3.1-2
Support		
	Technical support	3.1-3

Addresses

Technical offices in Germany



► Filderstadt

Pilz GmbH & Co. KG
Technisches Büro Filderstadt
Uhlbergstraße 75/1
70794 Filderstadt
Telephone: +49 711 7785244
Telefax: +49 711 7785245

► Frankfurt

Pilz GmbH & Co. KG
Technisches Büro Frankfurt
Heinrich-Böll-Straße 27
63110 Rodgau
Telephone: +49 6106 624641
Telefax: +49 6106 624677

► Gießen

Pilz GmbH & Co. KG
Technisches Büro Gießen
Lilienweg 13
35452 Heuchelheim
Telephone: +49 641 9661788
Telefax: +49 641 9661789

► Bielefeld

Pilz GmbH & Co. KG
Technisches Büro Bielefeld
Berliner Straße 10
33813 Oerlinghausen
Telephone: +49 5202 926012
Telefax: +49 5202 926013

► Dresden

Pilz GmbH & Co. KG
Technisches Büro Dresden
Zinzendorfstraße 13
01445 Radebeul
Telephone: +49 351 795155-0
Telefax: +49 351 795155-40

► Hannover

Pilz GmbH & Co. KG
Technisches Büro Hannover
Oldenburger Allee 18
30659 Hannover
Telephone: +49 511 616591-0
Telefax: +49 511 616591-10

► Mönchengladbach

Pilz GmbH & Co. KG
Technisches Büro Mönchengladbach
Girmen 32
52525 Heinsberg
Telephone: +49 2452 939-877
Telefax: +49 2452 939-878

► München

Pilz GmbH & Co. KG
Technisches Büro München
Olchinger Straße 56
82194 Gröbenzell
Telephone: +49 8142 4670-0
Telefax: +49 8142 54541

► Münster

Pilz GmbH & Co. KG
Technisches Büro Münster
Franz-Meis-Straße 10
48163 Münster
Telephone: +49 251 1626948
Telefax: +49 251 1626949

► Nürnberg

Pilz GmbH & Co. KG
Technisches Büro Nürnberg
Poppenleite 6
96152 Burghaslach
Telephone: +49 9552 980568
Telefax: +49 9552 980569

► Pirmasens

Pilz GmbH & Co. KG
Technisches Büro Pirmasens
Karlstraße 22
66969 Lemberg
Telephone: +49 6331 6981-11
Telefax: +49 6331 6981-61

► Reutlingen

Pilz GmbH & Co. KG
Technisches Büro Reutlingen
Lessingstraße 23
72770 Reutlingen
Telephone: +49 7121 5147152
Telefax: +49 7121 5147153

► Siegburg

Pilz GmbH & Co. KG
Technisches Büro Siegburg
Adolf-Kolping-Platz 12
53721 Siegburg
Telephone: +49 2241 57160
Telefax: +49 2241 57076

► Singen

Pilz GmbH & Co. KG
Technisches Büro Singen
Ob den Häusern 3
78250 Tengen
Telephone: +49 7736 921952
Telefax: +49 7736 921953

► Stuttgart

Pilz GmbH & Co. KG
Technisches Büro Stuttgart
Max-Eyth-Straße 7
73079 Süssen
Telephone: +49 7162 9413967
Telefax: +49 7162 9413968

Support

Technical support

Technical help round the clock!

Technical support is available from Pilz round the clock. This service is provided free of charge beyond standard business hours.

You can reach our international hotline on:

+49 711 3409-444
support@pilz.com

Pilz GmbH & Co. KG
Felix-Wankel-Straße 2
73760 Ostfildern, Germany

Telephone: +49 711 3409-0
Telefax: +49 711 3409-133
E-Mail: pilz.gmbh@pilz.de
Internet: www.pilz.com

Americas

- ▶ Brazil
+55 11 8245-8267
- ▶ Mexico
+52 55 5572 1300
- ▶ USA (toll-free)
+1 877-PILZUSA (745-9872)

Asia

- ▶ China
+86 21 60880878-216
- ▶ Japan
+81 45 471-2281
- ▶ Korea
+82 2 2263 9540

Australia

- ▶ Australia
+61 3 95446300

Europe

- ▶ Austria
+43 1 7986263-0
- ▶ Belgium, Luxembourg
+32 9 3217575
- ▶ England
+44 1536 462203
- ▶ France
+33 3 88104000
- ▶ Germany
+49 711 3409-444
- ▶ Ireland
+353 21 4804983
- ▶ Italy
+39 031 789511
- ▶ Scandinavia
+45 74436332
- ▶ Spain
+34 938497433
- ▶ Switzerland
+41 62 88979-30
- ▶ The Netherlands
+31 347 320477
- ▶ Turkey
+90 216 5775552

▶ AT

Pilz Ges.m.b.H.
Sichere Automation
Modecenterstraße 14
1030 Wien
Austria
Telephone: +43 1 7986263-0
Telefax: +43 1 7986264
E-Mail: pilz@pilz.at
Internet: www.pilz.at

▶ AU

Pilz Australia
Safe Automation
Suite C1, 756 Blackburn Road
Clayton, Melbourne VIC 3168
Australia
Telephone: +61 3 95446300
Telefax: +61 3 95446311
E-Mail: safety@pilz.com.au
Internet: www.pilz.com.au

▶ BE ▶ LU

Pilz Belgium
Safe Automation
Bijenstraat 4
9051 Gent (Sint-Denijs-Westrem)
Belgium
Telephone: +32 9 3217570
Telefax: +32 9 3217571
E-Mail: info@pilz.be
Internet: www.pilz.be

▶ BR

Pilz do Brasil
Automação Segura
Rua Ártico, 123 - Jd. do Mar
09726-300
São Bernardo do Campo - SP
Brazil
Telephone: +55 11 4126-7290
Telefax: +55 11 4126-7291
E-Mail: pilz@pilz.com.br
Internet: www.pilz.com.br

▶ CH

Pilz Industrieelektronik GmbH
Gewerbepark Hintermättli
Postfach 6
5506 Mägenwil
Switzerland
Telephone: +41 62 88979-30
Telefax: +41 62 88979-40
E-Mail: pilz@pilz.ch
Internet: www.pilz.ch

▶ CN

Pilz Industrial Automation
Trading (Shanghai) Co., Ltd.
Rm. 1702-1704
Yongda International Tower
No. 2277 Long Yang Road
Shanghai 201204
China
Telephone: +86 21 60880878
Telefax: +86 21 60880870
E-Mail: sales@pilz.com.cn
Internet: www.pilz.com.cn

▶ DE

Pilz GmbH & Co. KG
Felix-Wankel-Straße 2
73760 Ostfildern
Germany
Telephone: +49 711 3409-0
Telefax: +49 711 3409-133
E-Mail: pilz.gmbh@pilz.de
Internet: www.pilz.de

▶ DK

Pilz Skandinavien K/S
Safe Automation
Ellegaardvej 25 L
6400 Sønderborg
Denmark
Telephone: +45 74436332
Telefax: +45 74436342
E-Mail: pilz@pilz.dk
Internet: www.pilz.dk

▶ ES

Pilz Industrieelektronik S.L.
Safe Automation
Camí Ral, 130
Polígono Industrial Palou Nord
08401 Granollers
Spain
Telephone: +34 938497433
Telefax: +34 938497544
E-Mail: pilz@pilz.es
Internet: www.pilz.es

▶ FI

Pilz Skandinavien K/S
Safe Automation
Nuijamiestentie 7
00400 Helsinki
Finland
Telephone: +358 10 3224030
Telefax: +358 9 27093709
E-Mail: pilz.fi@pilz.dk
Internet: www.pilz.fi

▶ FR

Pilz France Electronic
1, rue Jacob Mayer
BP 12
67037 Strasbourg Cedex 2
France
Telephone: +33 3 88104000
Telefax: +33 3 88108000
E-Mail: siege@pilz-france.fr
Internet: www.pilz.fr

▶ GB

Pilz Automation Technology
Safe Automation
Willow House, Medicott Close
Oakley Hay Business Park
Corby
Northants NN18 9NF
United Kingdom
Telephone: +44 1536 460766
Telefax: +44 1536 460866
E-Mail: sales@pilz.co.uk
Internet: www.pilz.co.uk

▶ IE

Pilz Ireland Industrial Automation
Cork Business and Technology Park
Model Farm Road
Cork
Ireland
Telephone: +353 21 4346535
Telefax: +353 21 4804994
E-Mail: sales@pilz.ie
Internet: www.pilz.ie

▶ IT

Pilz Italia Srl
Automazione sicura
Via Meda 2/A
22060 Novedrate (CO)
Italy
Telephone: +39 031 789511
Telefax: +39 031 789555
E-Mail: info@pilz.it
Internet: www.pilz.it

▶ JP

Pilz Japan Co., Ltd.
Safe Automation
Shin-Yokohama Fujika Building 5F
2-5-9 Shin-Yokohama
Kohoku-ku
Yokohama 222-0033
Japan
Telephone: +81 45 471-2281
Telefax: +81 45 471-2283
E-Mail: pilz@pilz.co.jp
Internet: www.pilz.jp

▶ KR

Pilz Korea Ltd.
Safe Automation
9F Jo-Yang Bld. 50-10
Chungmuro2-Ga Jung-Gu
100-861 Seoul
Republic of Korea
Telephone: +82 2 2263 9541
Telefax: +82 2 2263 9542
E-Mail: info@pilzkorea.co.kr
Internet: www.pilzkorea.co.kr

▶ ...

In many countries we are represented by sales partners.

Please refer to our homepage for further details or contact our headquarters.

▶ MX

Pilz de México, S. de R.L. de C.V.
Automatización Segura
Circuito Pintores 170
Cd. Satélite
Naucalpan, Méx. 53100
Mexico
Telephone: +52 55 5572 1300
Telefax: +52 55 5572 1300
E-Mail: info@pilz.com.mx
Internet: www.pilz.com.mx

▶ NL

Pilz Nederland
Veilige automatisering
Postbus 186
4130 ED Vianen
Netherlands
Telephone: +31 347 320477
Telefax: +31 347 320485
E-Mail: info@pilz.nl
Internet: www.pilz.nl

▶ NZ

Pilz New Zealand
Safe Automation
Unit C, 101 Apollo Drive
Mairangi Bay
Auckland 0632
New Zealand
Telephone: +64 9 6345350
Telefax: +64 9 6345352
E-Mail: office@pilz.co.nz
Internet: www.pilz.co.nz

▶ PL

Pilz Polska Sp. z o.o.
Safe Automation
ul. Marywilska 34H
03-231 Warszawa
Poland
Telephone: +48 22 8847100
Telefax: +48 22 8847109
E-Mail: info@pilz.pl
Internet: www.pilz.pl

▶ Technical support

+49 711 3409-444
support@pilz.com

Pilz GmbH & Co. KG
Felix-Wankel-Straße 2
73760 Ostfildern, Germany
Telephone: +49 711 3409-0
Telefax: +49 711 3409-133
E-Mail: pilz.gmbh@pilz.de
Internet: www.pilz.com

▶ PT

Pilz Industrieelektronik S.L.
R. Eng Duarte Pacheco, 120
4 Andar Sala 21
4470-174 Maia
Portugal
Telephone: +351 229407594
Telefax: +351 229407595
E-Mail: pilz@pilz.pt
Internet: www.pilz.pt

▶ RU

Pilz RUS OOO
Ugreshskaya street, 2,
bldg. 11, office 16 (1st floor)
115088 Moscow
Russian Federation
Telephone: +7 495 665 4993
E-Mail: pilz@pilzrussia.ru
Internet: www.pilzrussia.ru

▶ SE

Pilz Skandinavien K/S
Safe Automation
Energitgatan 10 B
43437 Kungsbacka
Sweden
Telephone: +46 300 13990
Telefax: +46 300 30740
E-Mail: pilz.se@pilz.dk
Internet: www.pilz.se

▶ TR

Pilz Emniyet Otomasyon
Ürünleri ve Hizmetleri Tic. Ltd. Şti.
Kayışdağı Cd. Beykonağı Plaza
No:130 K:2 D:2
Ataşehir/İstanbul
Turkey
Telephone: +90 216 5775550
Telefax: +90 216 5775549
E-Mail: info@pilz.com.tr
Internet: www.pilz.com.tr

▶ US ▶ CA

Pilz Automation Safety L.P.
7150 Commerce Boulevard
Canton
Michigan 48187
USA
Telephone: +1 734 354 0272
Telefax: +1 734 354 3355
E-Mail: info@pilzusa.com
Internet: www.pilz.us



1002304-EN-02
00-0-0-0-000, 2012-01 Printed in Germany
© Pilz GmbH & Co. KG, 2011
IndurANET p®, Pilz®, PIT®, PNCprotego®, PM®, PNOZ®, Primo®, PSEN®, PSS®, PVIS®, SafetyBUS p®, SafetyEYE®, SafetyNET p®, the spirit of safety® are registered and protected trademarks of Pilz GmbH & Co. KG in some countries. We would point out that the product features may vary from the details stated in this document, depending on the status at the time of publication and the scope of the equipment. We accept no responsibility for the validity, accuracy and entirety of the text and graphics presented in this information. Please contact our Technical Support if you have any questions.

